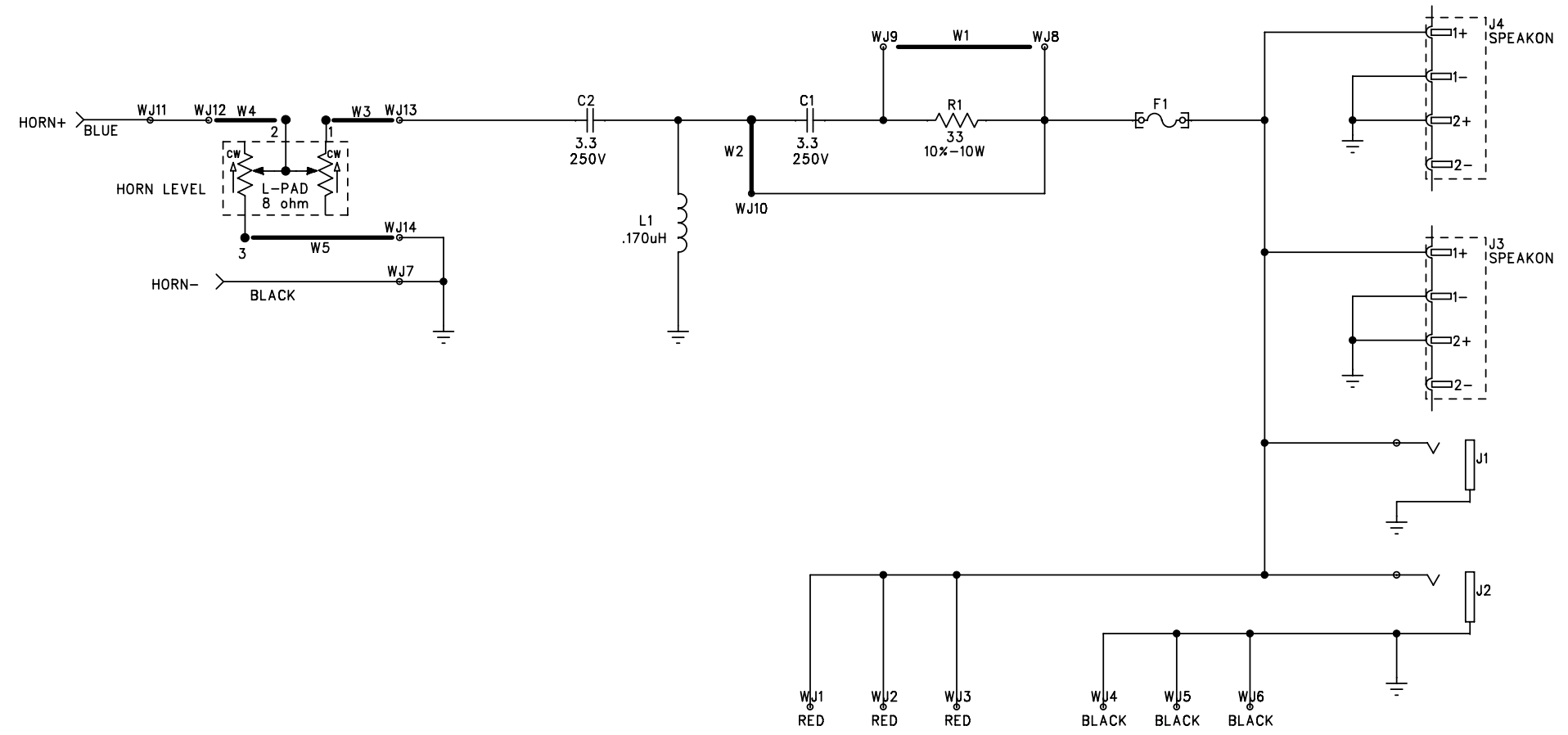
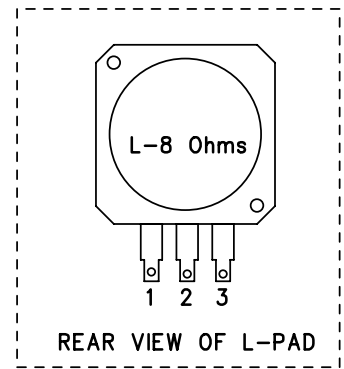



REVISIONS

REV.	DESCRIPTION	DATE	APPROVED
A	XOVER	06-JUN-04	I.D.K

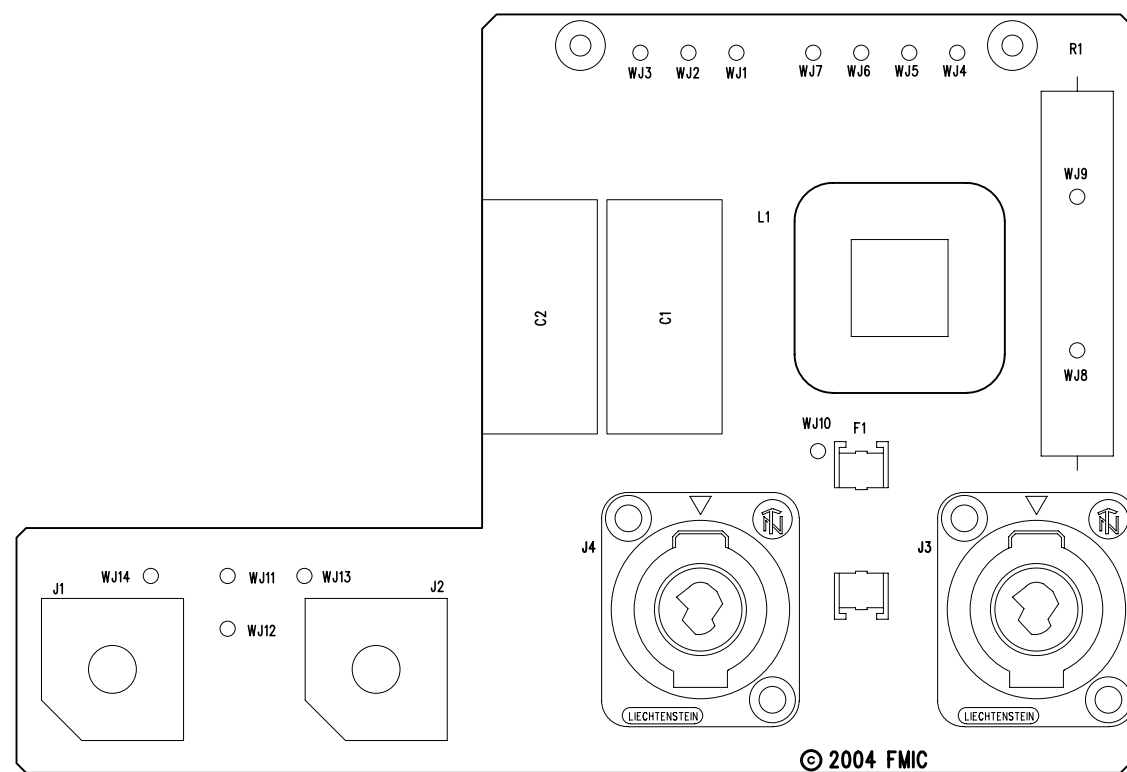


1. THIS SCHEMATIC IS FOR PCB FABRICATION P/N 0068379000 AND PCB ASSEMBLY P/N 0068380000.

NOTES: (UNLESS OTHERWISE NOTED)


THIS DOCUMENT CONTAINS INFORMATION OF A PROPRIETARY NATURE TO FENDER MUSICAL INSTRUMENTS AND IS SUBMITTED TO YOU IN CONFIDENCE AND SHALL NOT BE DISCLOSED OR TRANSMITTED TO OTHERS WITHOUT AUTHORIZATION FROM FENDER MUSICAL INSTRUMENTS.		 MUSICAL INSTRUMENTS Corona, CA U.S.A.	
CHECKED BY: _____ DATE: _____		TITLE: SERVICE DIAGRAM, COMBINED (schematic) SWR SPEAKER CABINETS	
APPROVED BY: _____ DATE: _____		SIZE: B	DRAWING NUMBER: 0068378000
DRAWN: I.KOTHRAD	ENGR: I.KOTHRAD	REV.:	A
DATABASE FILE: XOVER.PCB		RELEASE DATE: 06-JUN-04	SHEET 1 OF 2

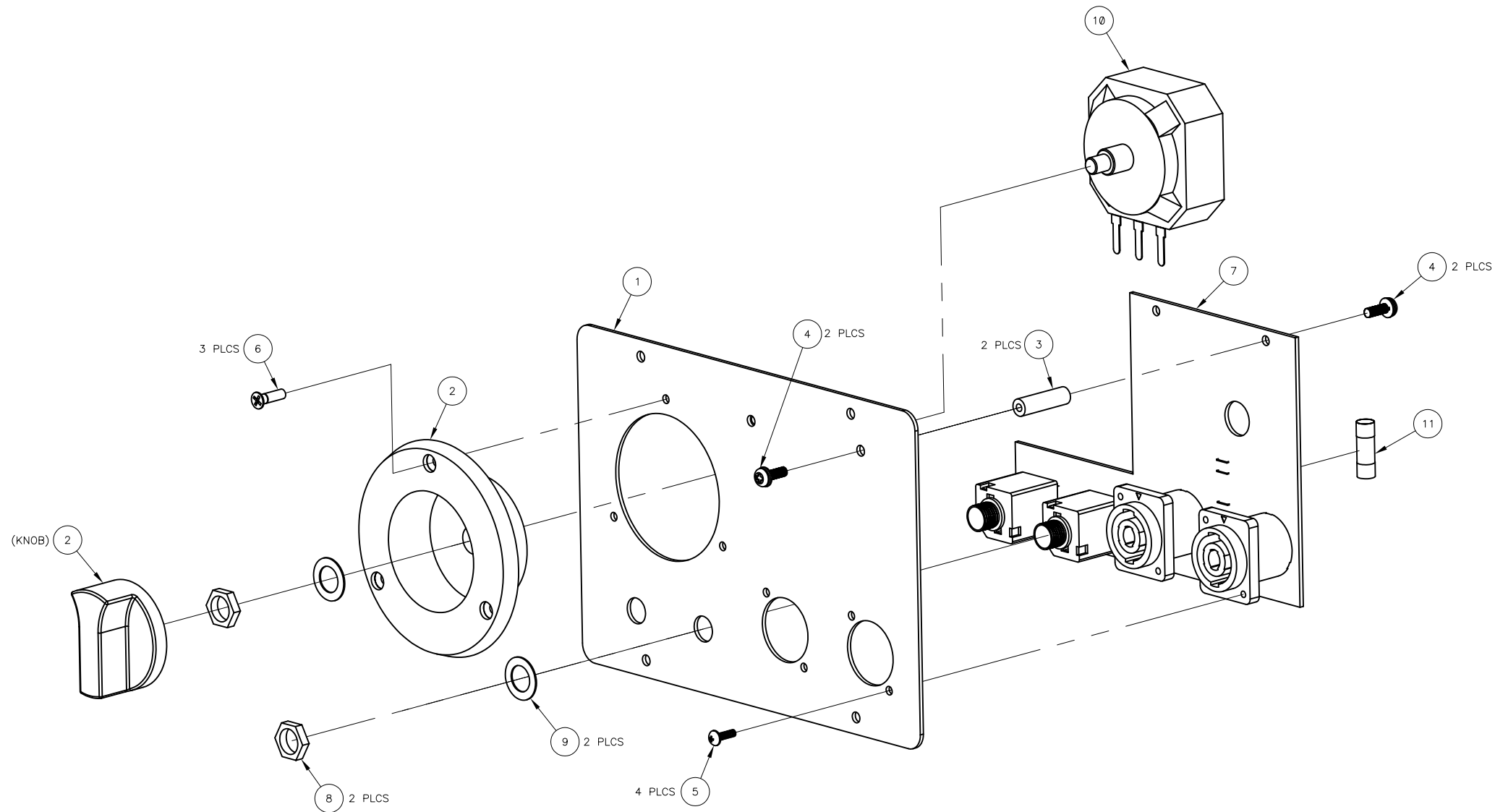
REVISIONS			
REV.	DESCRIPTION	DATE	APPROVED
A	PR646	06-JUN-04	I D K



1. SEE SHEET 1 FOR PRIMARY WIRING, TEST CONDITIONS AND TP VALUES.


NOTES: (UNLESS OTHERWISE NOTED)

THIS DOCUMENT CONTAINS INFORMATION OF A PROPRIETARY NATURE TO FENDER MUSICAL INSTRUMENTS AND IS SUBMITTED TO YOU IN CONFIDENCE AND SHALL NOT BE DISCLOSED OR TRANSMITTED TO OTHERS WITHOUT AUTHORIZATION FROM FENDER MUSICAL INSTRUMENTS.		 MUSICAL INSTRUMENTS Corona, CA U.S.A.	
CHECKED BY: _____ DATE: _____		TITLE: SERVICE DIAGRAM, COMBINED (PCB assy) SWR SPEAKER CABINETS	
APPROVED BY: _____ DATE: _____		SIZE B	DRAWING NUMBER 0068378000
DRAWN: I.KOTHRAD	ENGR: I.KOTHRAD	RELEASE DATE: 06-JUN-04	REV. A
DATABASE FILE: XOVER.PCB		SHEET 2 OF 2	



SERVICE MANUAL DOCUMENT
9/8/2004

ITEM	QTY	DESCRIPTION
11	1	FUSE 3A 20MMX5MM 5A/UL 250V
10	1	LPAD 8 OHM 50W
9	2	WSHR FLAT 3/8x.614 NI (049)
8	2	NUT HEX 3/8-32x3/32 TK NI (049)
7	1	PCB ASSY, CROSSOVER SWR SPKR CAB
6	3	SCRW SMAB 6X1/2 FHP BLX
5	4	SCRW SMB #4X3/8 PHP BLX
4	4	SCRW M 6-32X3/8 PHPS BLX ITLW
3	2	STNDOFF RND AL 6-32X7/8X1/4
2	1	KNOB ASSY X-OVER
1	1	PLATE CROSSOVER WPRO SPKRS

DATE 7/15/2004			 CORONA, CALIFORNIA U.S.A.			
DFT.	ENG.	ENG.				TITLE CROSSOVER ASSEMBLY WORKING PRO SPEAKER
DATE	DATE	DATE	SHEET 1 of 1	SIZE D	DRAWING NUMBER 0065602000	REV. B
APPROVED	DATE		SCALE NONE	ASSEMBLY		