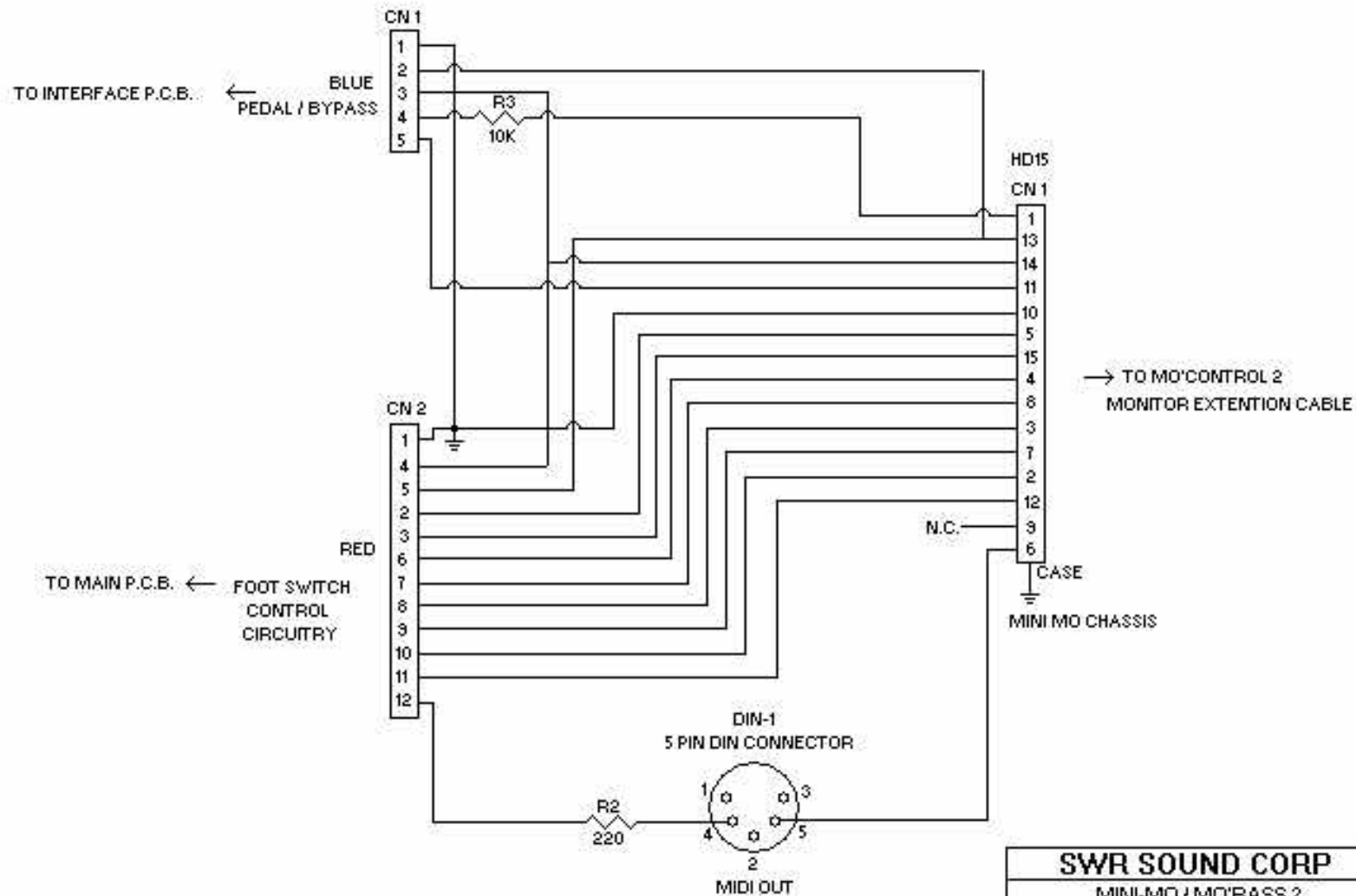


# MINI-MO FOOT SWITCH P.C.B. SCHEMATIC



**PLEASE NOTE:**  
1.) ALL RESISTORS 1/8 WATT 5%

<b>SWR SOUND CORP</b>	
MINI-MO / MO'BASS 2 FOOT SWITCH P.C.B. SCHEMATIC	
DATE	1-20-03
	REV. 2.4
	PART# 170059
DESIGN BY	WM WEST III