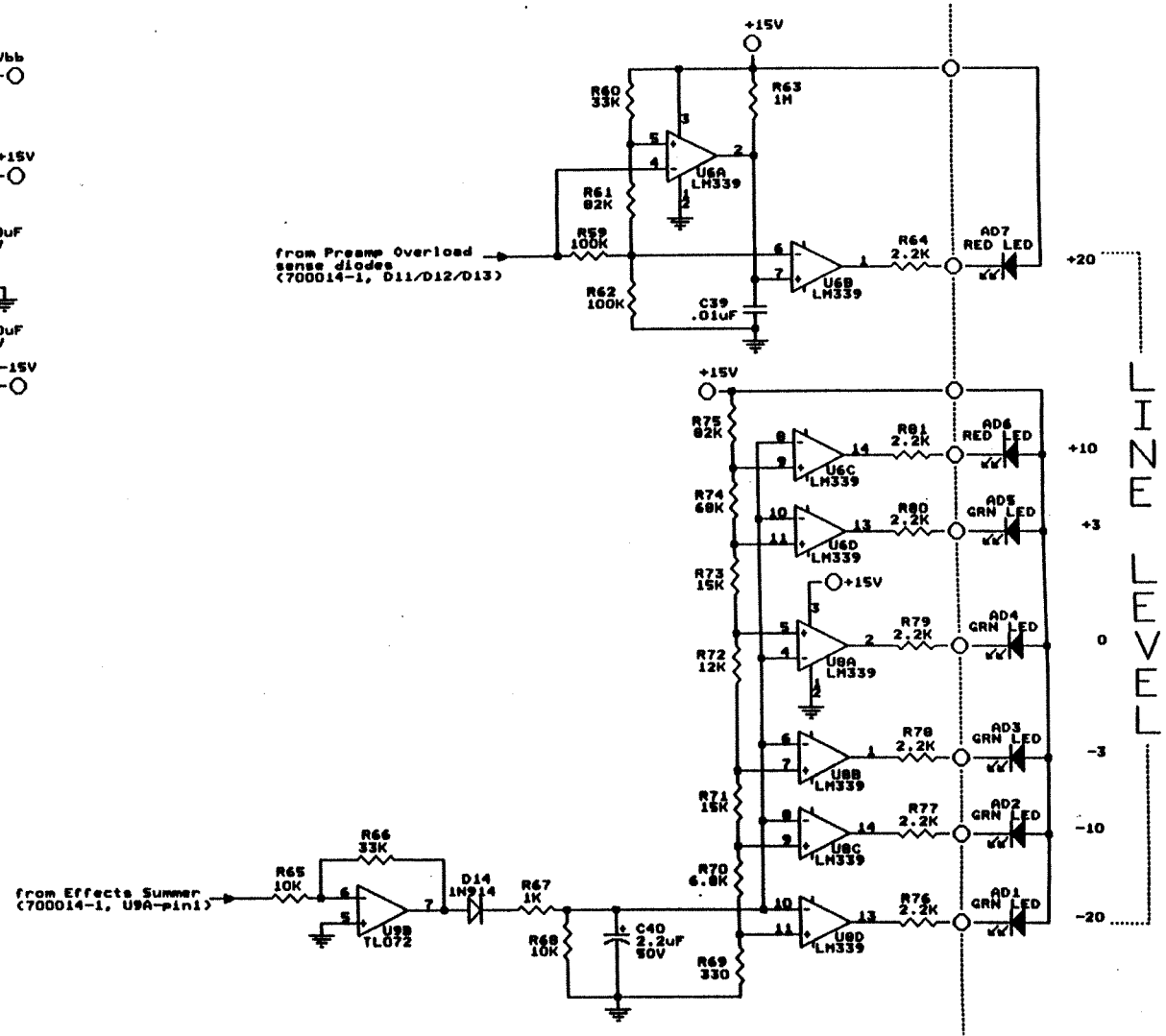
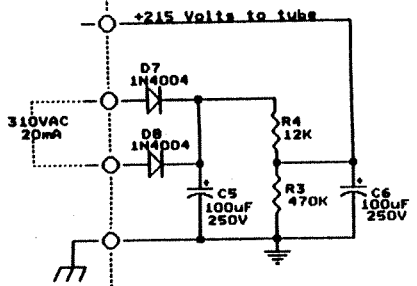
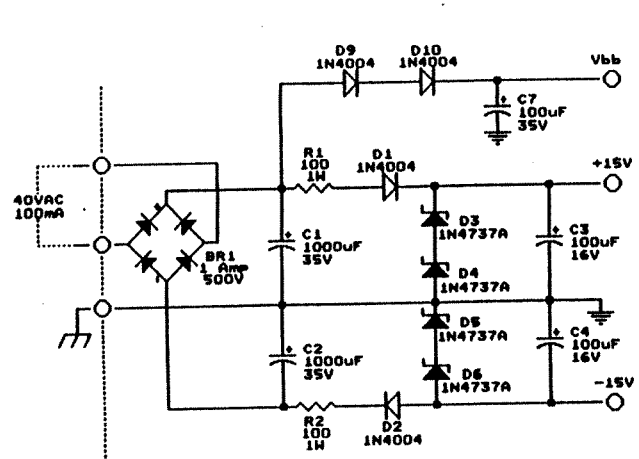


Items outside dashed lines are part of the Chassis Assembly

- 3. Reference designators with an A prefix are part of the chassis sub-assembly.
 - 2. All TL072s have +15 Volts to pin 6, and -15 Volts to pin 4.
 - 1. Resistors are Ohms, 1/4 Watt.
- NOTES (Unless otherwise indicated):

SWR SOUND CORPORATION 9130 Glenoaks Blvd. Sun Valley, CA 91352 Phone: (818)253-4797 http://www.swrsound.com		
GRAND PRIX PREAMP		
Size Document Number B	700014-1	REV B
Date: July 15, 1999 Sheet 1 of 1		



3. Reference designators with an A prefix are part of the chassis sub-assembly.
 2. All TL072s have +15 Volts to pin 8, and -15 Volts to pin 4.
 1. Resistors are Ohms, 1/4 Watt.
- NOTES (Unless otherwise indicated):**

SHR SOUND CORPORATION
 9130 Glenoaks Blvd.
 Sun Valley, CA 91352
 Phone: (818)253-4797 FAX: (818)253-4799
<http://www.surrg.com>

Title: GRAND PRIX PREAMP

Size	Document Number	REV
B	700014-2	B
Date:	July 15, 1999	Sheet 1 of 1