

TABLE OF SHIELDED CABLES

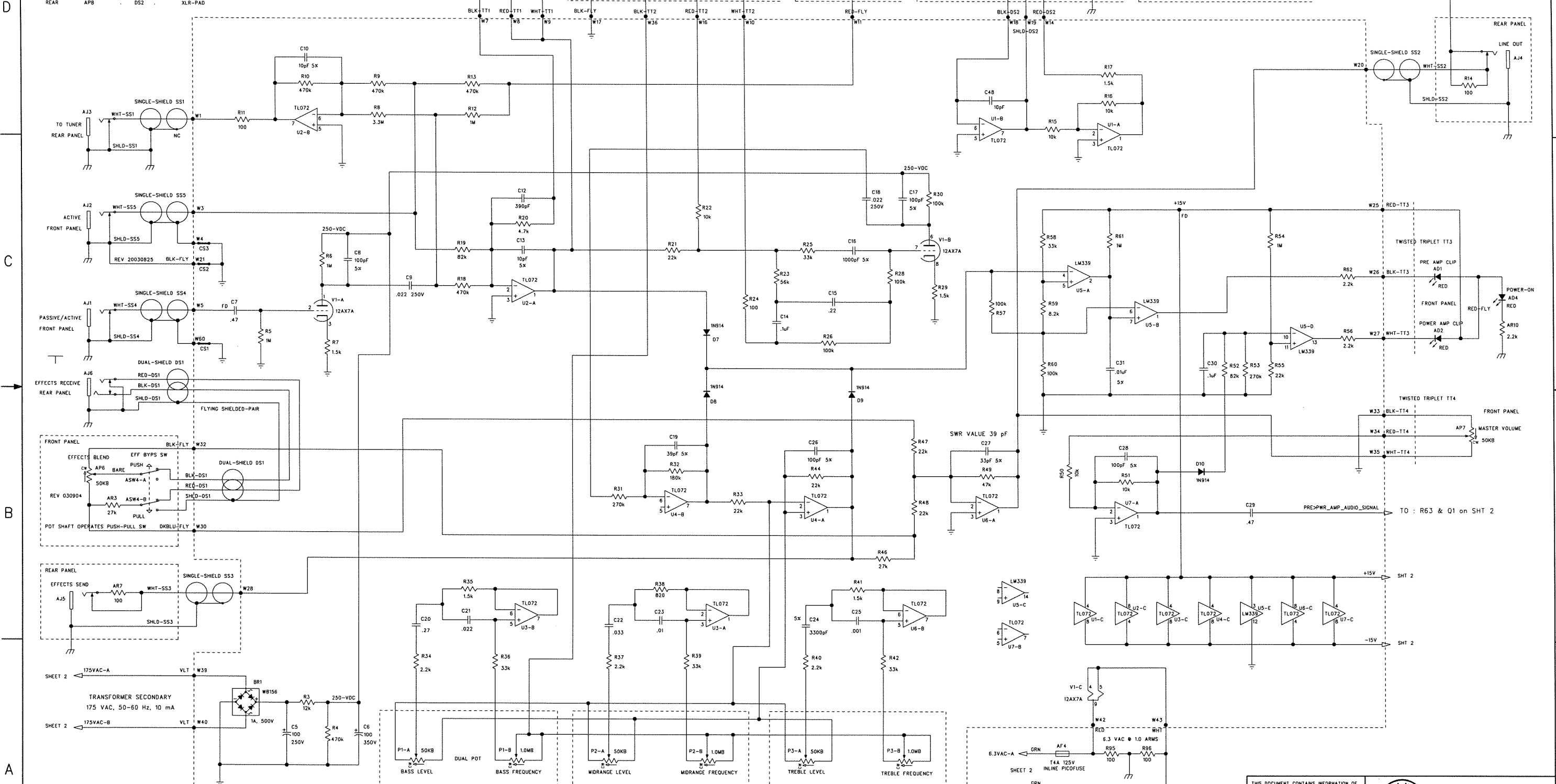
CHASSIS TERMINAL	OBJECT	CABLE ID	FUNCTION
REAR	AJ3	SS1	TO TUNER
REAR	AJ4	SS2	LINE OUT
REAR	AJ5	SS3	EFF SEND
FRNT	AJ1	SS4	PASS/ACT
FRNT	AJ2	SS5	ACTIVE
REAR	AJ6	DS1	EFF REC'V
FRNT	ASW4	DS1	EFF REC'V
REAR	AP8	DS2	XLR-PAD

TABLE OF TWISTED TRIPLETS

CHASSIS TERMINAL	OBJECT	TRIPLET ID	FUNCTION
FRNT	AP1	TT1	GAIN CTRL
FRNT	AP2	TT2	AURAL ENH
FRNT	AD1, AD2	TT3	CLIP INDICATOR
FRNT	AP7	TT4	MSTR VOL

REVISIONS

REV.	DESCRIPTION	DATE	APPROVED
A	EC2979	25-SEP-03	S.M.B.



NI-11. POTS ARE VIEWED FROM FRONT, PINS DOWN : WIPER PIN-2 MOVES CW FROM PIN-1 TO PIN-3.  
 NI-12. PANEL-MOUNTED SUBASSEMBLIES CONTAINING POTS AND/OR SWS TOGETHER WITH OTHER COMPONENTS ARE ENCLOSED BY DOTTED BOXES, INDICATING AN ASSEMBLY.  
 NI-13. ALL POTS ARE FROM NOBLE.  
 NI-14. SEVERAL NON-LIBRARY PARTS, RENDERED IN 2-0, HAVE BEEN GIVEN FICTITIOUS PRESENCE ON THIS SCHEMATIC AND IN THE CORRESPONDING PADS-BOM BY ASCRIBING THEIR PARAMETERS TO A "WIRE-SOLDER POINT" EMBEDDED IN THE 2-D DRAWING.

5. THIS SCHEMATIC IS FOR PCB ASSEMBLY P/N 0066610000  
 4. ALL DIODES ARE 1N4448.  
 3. ALL POLARIZED CAPACITORS IN uF, 20% 50V MINIMUM.  
 2. ALL UNPOLARIZED CAPACITORS IN uF, 10% OR BETTER, 50V MINIMUM. (POWER SUPPLY BYPASS CAPACITORS ARE 20%).  
 1. ALL RESISTORS IN OHMS, 5% 1/4W.

NOTES: (UNLESS OTHERWISE NOTED)

THIS DOCUMENT CONTAINS INFORMATION OF A PROPRIETARY NATURE TO FENDER MUSICAL INSTRUMENTS AND IS SUBMITTED TO YOU IN CONFIDENCE AND SHALL NOT BE DISCLOSED OR TRANSMITTED TO OTHERS WITHOUT AUTHORIZATION FROM FENDER MUSICAL INSTRUMENTS.

**SWR SOUND**  
 Corona, CA U.S.A.

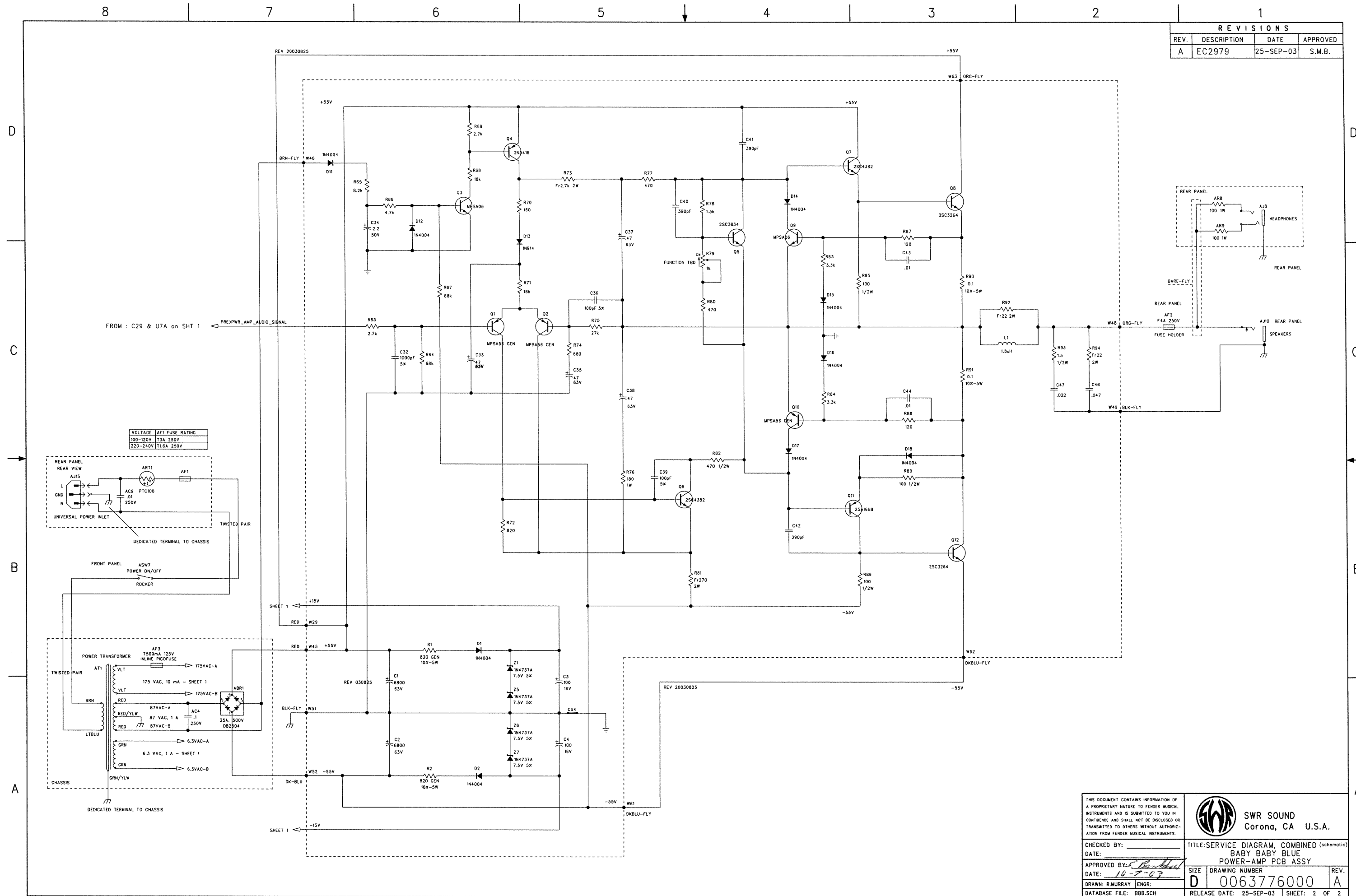
CHECKED BY: \_\_\_\_\_  
 DATE: \_\_\_\_\_  
 APPROVED BY: *S. Bankhead*  
 DATE: 10-2-03  
 DRAWN: R.MURRAY ENGR: S.Bankhead  
 DATABASE FILE: BBB.SCH

TITLE: SERVICE DIAGRAM, COMBINED (schematic)  
 BABY BABY BLUE  
 PRE-AMP PCB ASSY

SIZE: DRAWING NUMBER  
**D 0063776000** REV. **A**

RELEASE DATE: 25-SEP-03 SHEET: 1 OF 2

REVISIONS			
REV.	DESCRIPTION	DATE	APPROVED
A	EC2979	25-SEP-03	S.M.B.



VOLTAGE	AF1 FUSE RATING
100-120V	T3A 250V
220-240V	T1.6A 250V

<small>THIS DOCUMENT CONTAINS INFORMATION OF A PROPRIETARY NATURE TO FENDER MUSICAL INSTRUMENTS AND IS SUBMITTED TO YOU IN CONFIDENCE AND SHALL NOT BE DISCLOSED OR TRANSMITTED TO OTHERS WITHOUT AUTHORIZATION FROM FENDER MUSICAL INSTRUMENTS.</small>		 <b>SWR SOUND</b> Corona, CA U.S.A.
CHECKED BY: _____ DATE: _____ APPROVED BY: <i>[Signature]</i> DATE: 10-7-03 DRAWN: R.MURRAY ENGR: DATABASE FILE: BBB.SCH		
TITLE: SERVICE DIAGRAM, COMBINED (schematic) BABY BABY BLUE POWER-AMP PCB ASSY		SIZE: DRAWING NUMBER <b>D 0063776000</b>
RELEASE DATE: 25-SEP-03 SHEET: 2 OF 2		REV. <b>A</b>