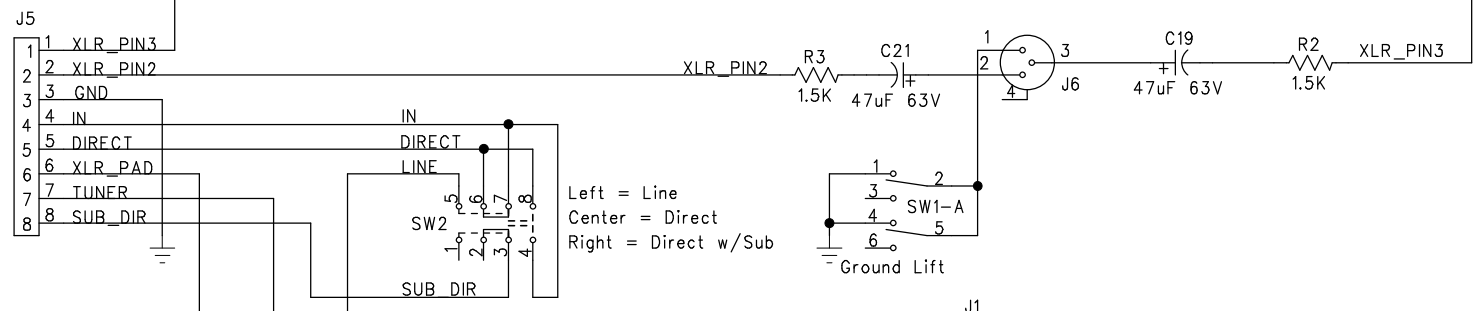


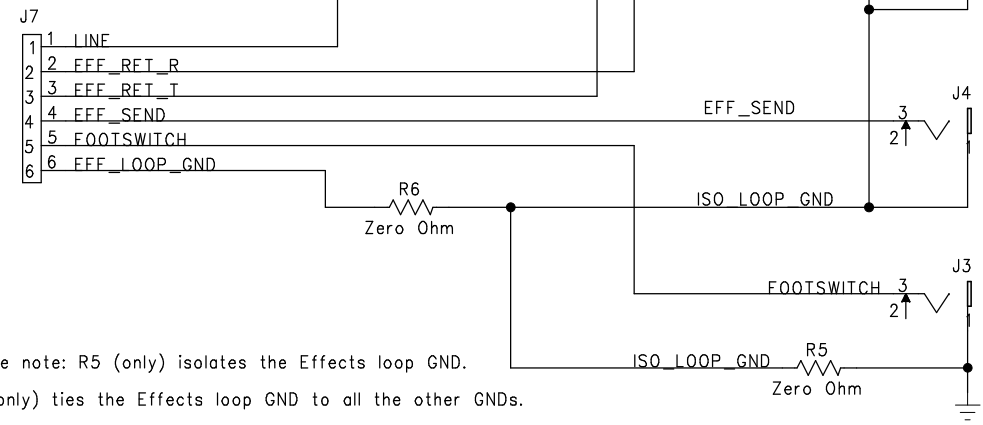
6 5 4 3 2 1

(From Preamp PCB J5)



Left = Line
Center = Direct
Right = Direct w/Sub

(From Preamp PCB J7)



Please note: R5 (only) isolates the Effects loop GND.
R6 (only) ties the Effects loop GND to all the other GNDs.

PCB Part Number -- 170049D (released)
PCB Assembly Number -- 700067

SWR Sound Corporation	
Title: Bass 350/Black Beauty XLR PCB	Rev: D
Date: 07 February 2002	GMx
Last update:	Sheet: 1 of 1

D

C

B

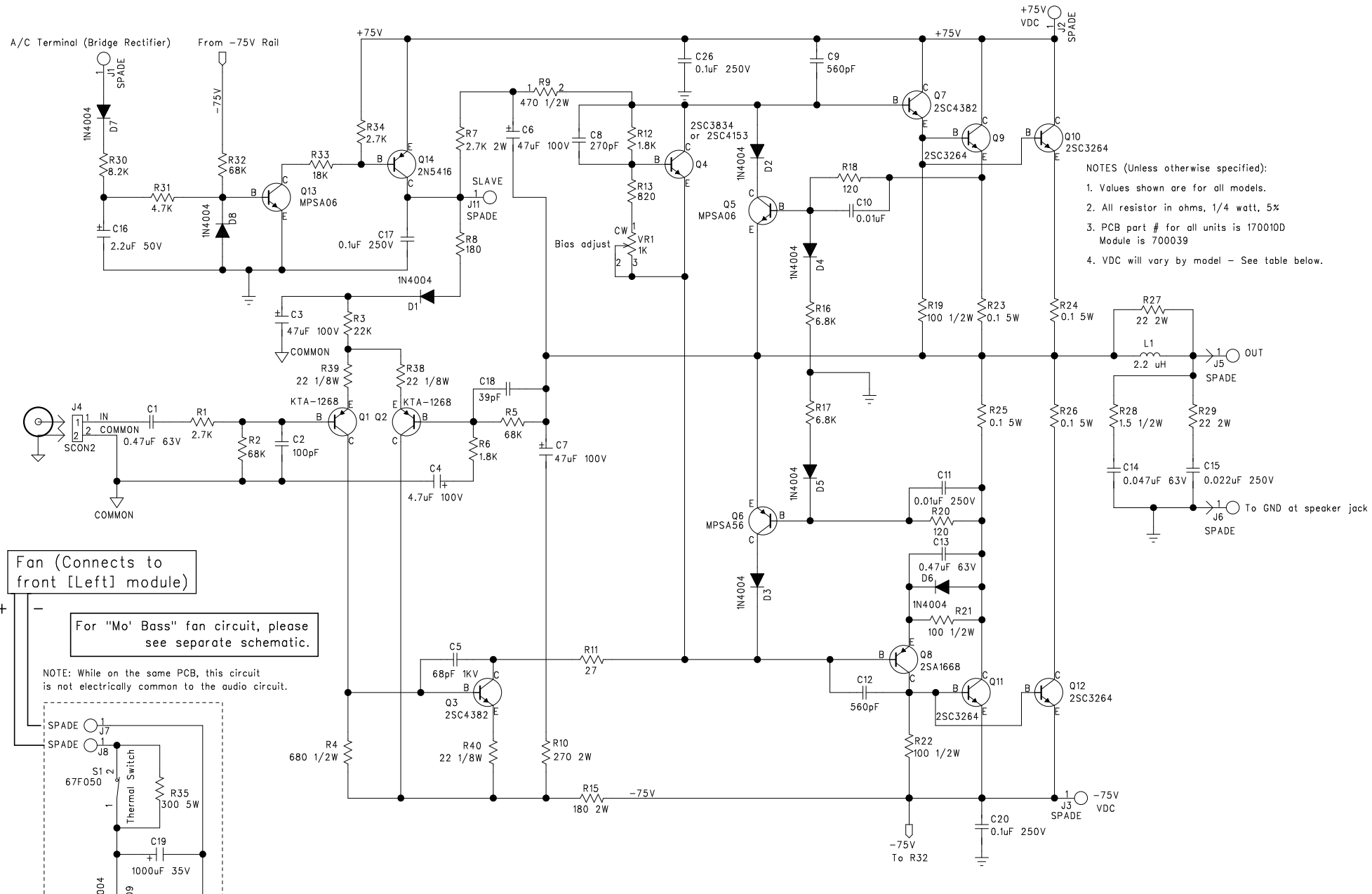
A

D

C

B

A

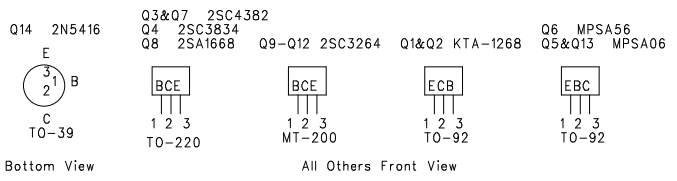
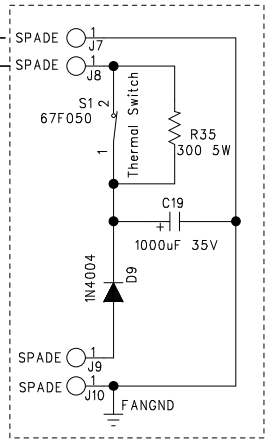


- NOTES (Unless otherwise specified):
1. Values shown are for all models.
 2. All resistor in ohms, 1/4 watt, 5%
 3. PCB part # for all units is 170010D Module is 700039
 4. VDC will vary by model - See table below.

Fan (Connects to front [Left] module)

For "Mo' Bass" fan circuit, please see separate schematic.

NOTE: While on the same PCB, this circuit is not electrically common to the audio circuit.

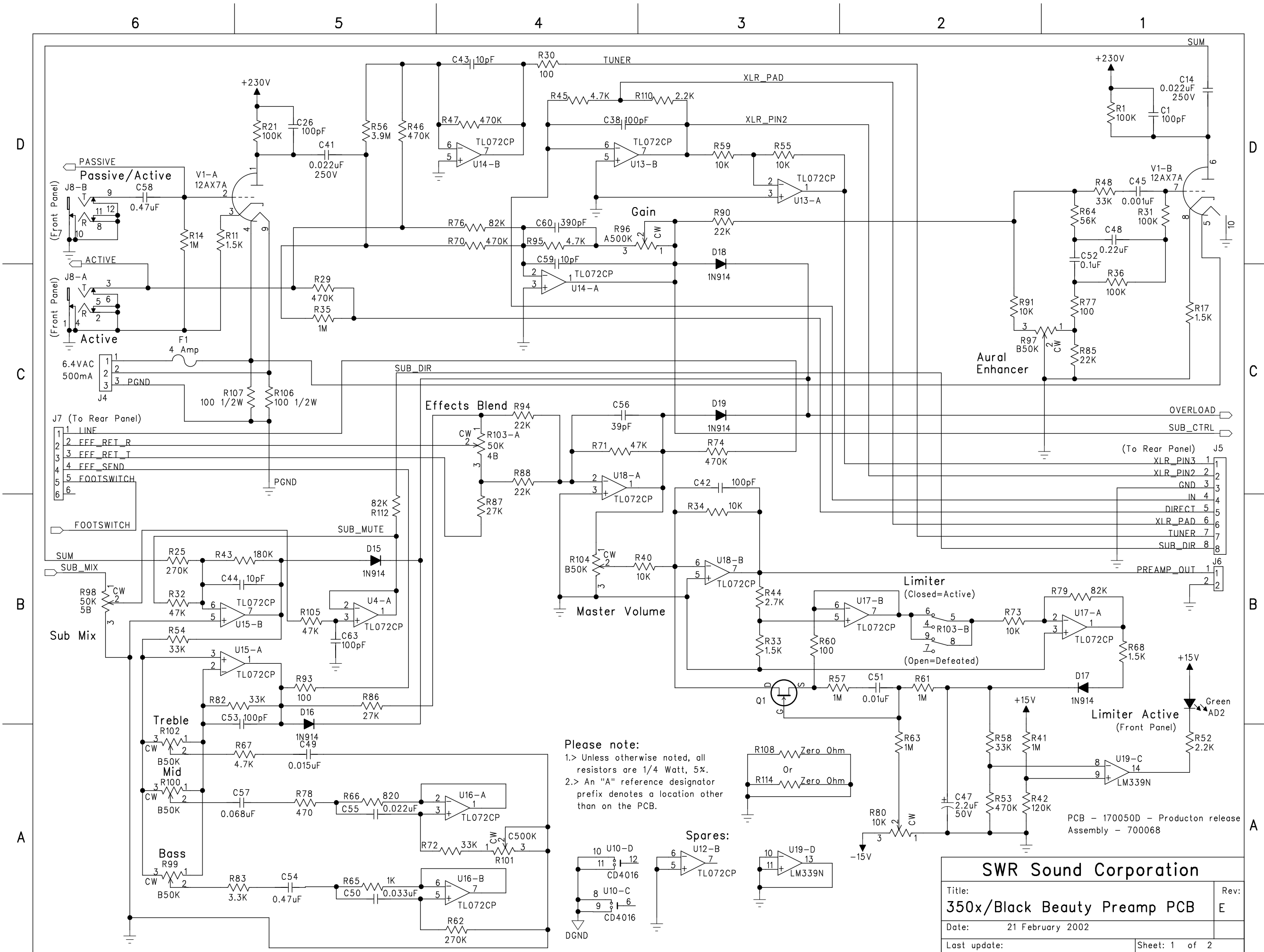


VDC Table

Model	+ VDC	- VDC
SM-900	78	78
Mo' Bass	59	59
SM-500	77	77
Bass 350/350x Super Redhead Silverado Black Beauty	79	79
WM4004	79	79

SWR Sound Corp.

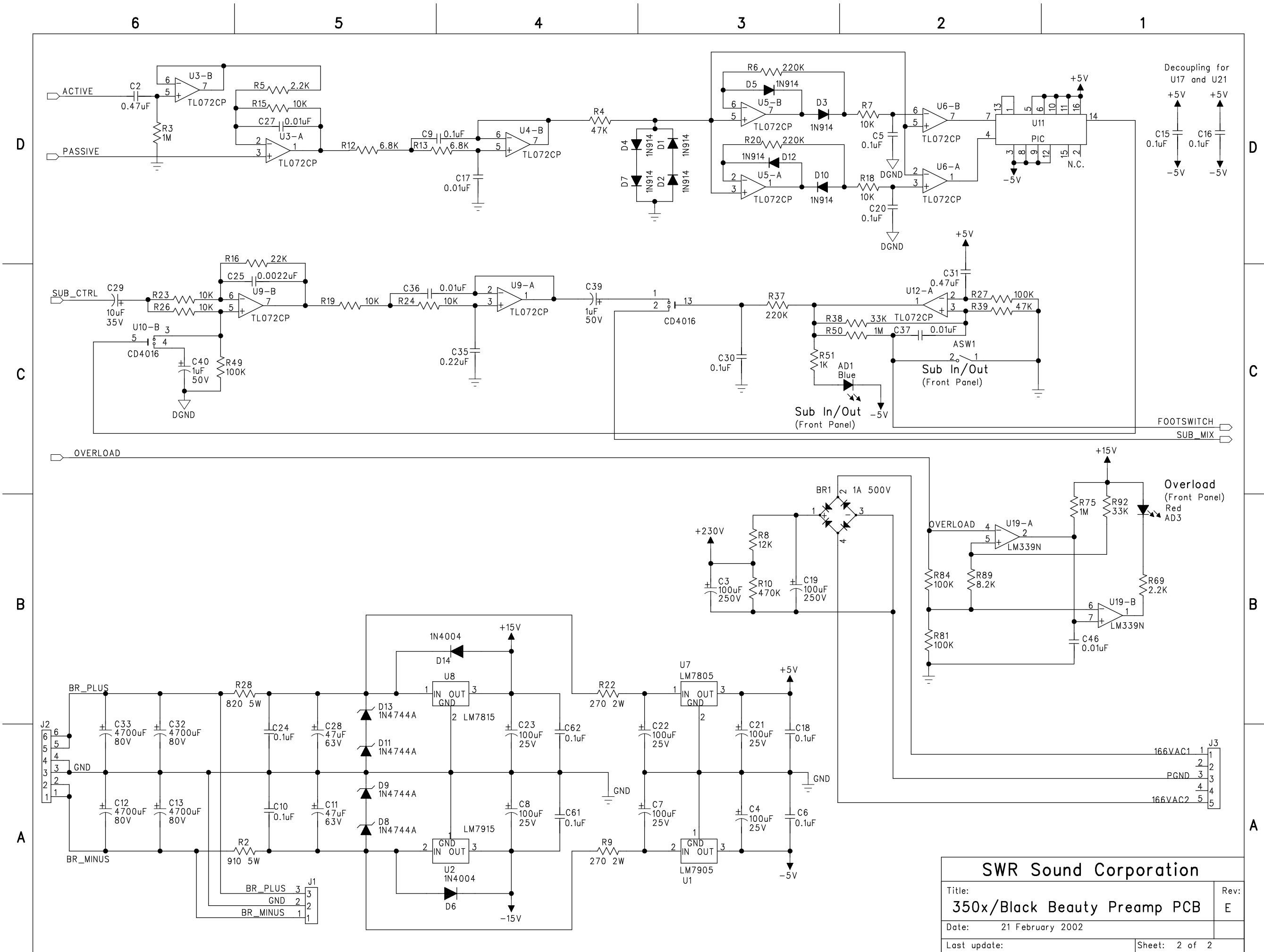
SWR2000 - Power Amp Module



Please note:
 1.> Unless otherwise noted, all resistors are 1/4 Watt, 5%.
 2.> An "A" reference designator prefix denotes a location other than on the PCB.

SWR Sound Corporation	
Title:	350x/Black Beauty Preamp PCB
Date:	21 February 2002
Last update:	
Rev:	E
Sheet: 1 of 2	

PCB - 170050D - Production release
 Assembly - 700068

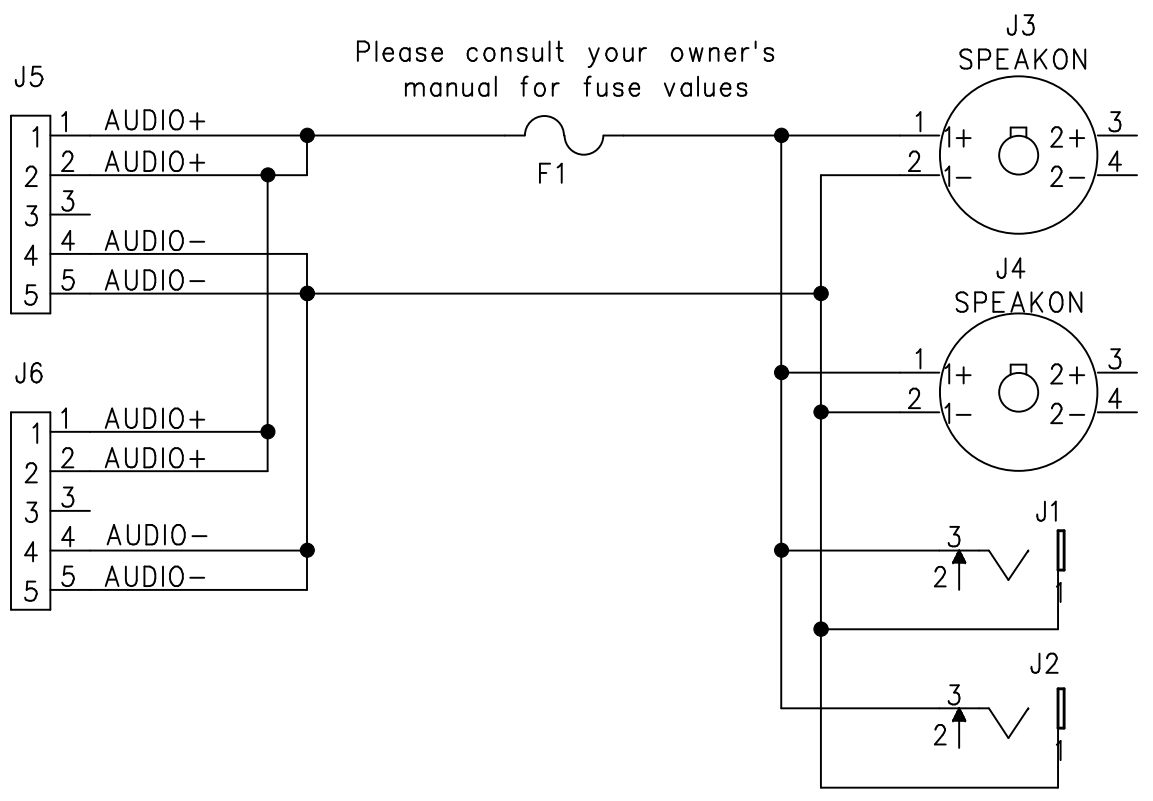


SWR Sound Corporation	
Title:	350x/Black Beauty Preamp PCB
Date:	21 February 2002
Last update:	
Rev:	E
Sheet: 2 of 2	

6 5 4 3 2 1

D
C
B
A

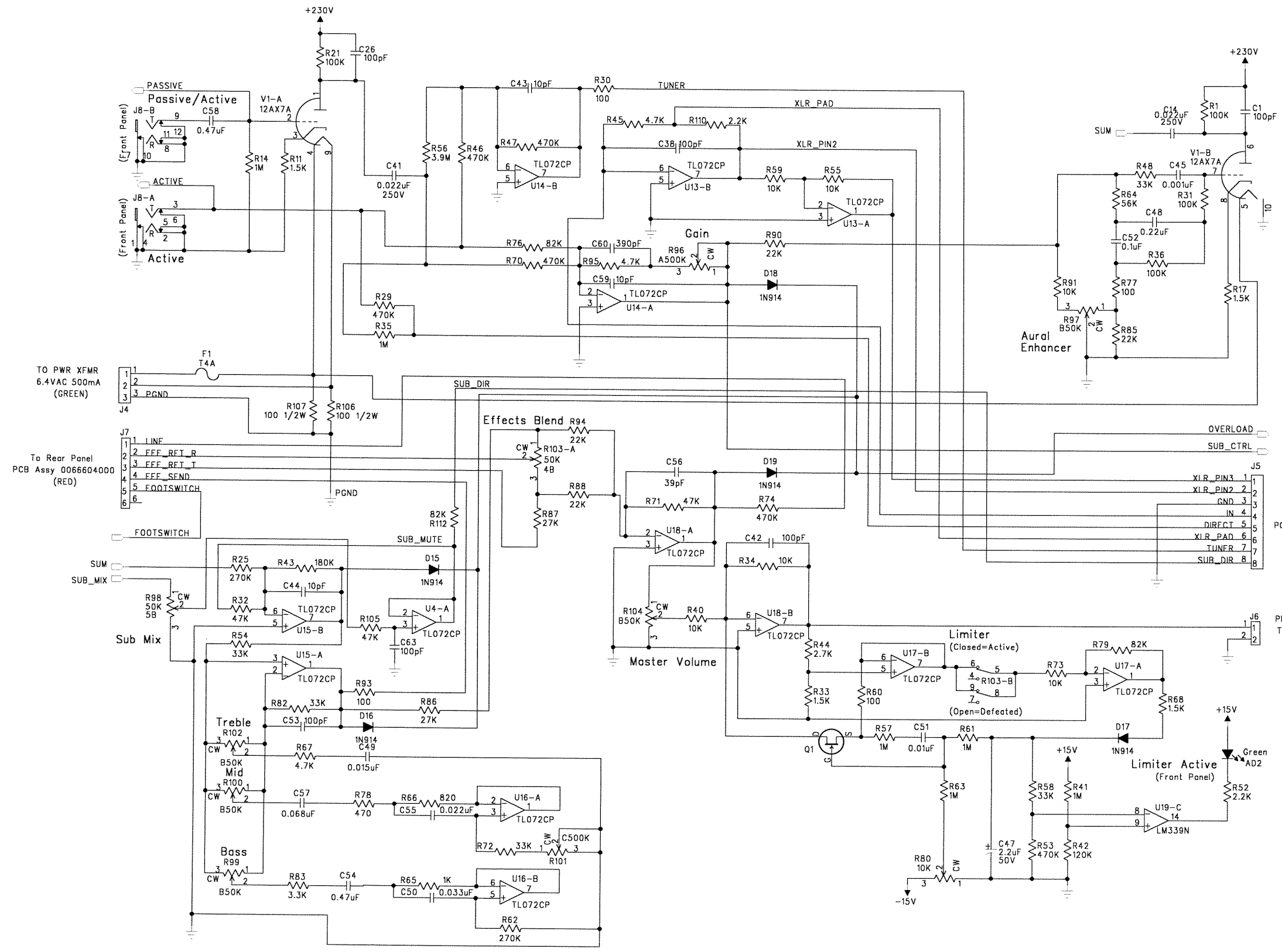
D
C
B
A



PCB 170048A
Assy 700066

SWR Sound Corporation	
Title:	Speaker Output PCB
Date:	19 June 2001
Last update:	26 February 2003
Sheet:	1 of 1
Rev:	A

REVISIONS			
REV.	DESCRIPTION	DATE	APPROVED
A	EC2950	28-JUL-03	S.M.B.

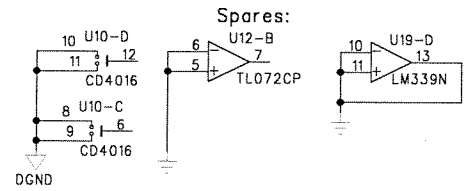


TO PWR XFMR
6.4VAC 500mA
(GREEN)

To Rear Panel
PCB Assy 0066604000
(RED)

To Rear Panel
PCB Assy 0066604000
(GREEN)

PREAMP_OUT
To PCB Assy 0066638000



7. Use Rear Panel PCB assembly PCB Assy 0066604000 and Power Amp PCB Assy 0066638000 for both models. 350x uses speaker output PCB 0066608000
 6. AN "A" REFERENCE DESIGNATOR PREFIX DENOTES A LOCATION OTHER THAN THE PCB
 5. THIS SCHEMATIC IS FOR PCB ASSEMBLY P/N 0066605000
 4. ALL DIODES ARE 1N4448.
 3. ALL POLARIZED CAPACITORS IN uF, 20x; 50V MINIMUM.
 2. ALL UNPOLARIZED CAPACITORS IN uF, 10x OR BETTER; 50V MINIMUM. (POWER SUPPLY BYPASS CAPACITORS ARE 20x).
 1. ALL RESISTORS IN OHMS, 5x; 1/4W.
- NOTES: (UNLESS OTHERWISE NOTED)

THIS DOCUMENT CONTAINS INFORMATION OF A PROPRIETARY NATURE TO FENDER MUSICAL INSTRUMENTS AND IS SUBMITTED TO YOU IN CONFIDENCE AND SHALL NOT BE DISCLOSED OR TRANSMITTED TO OTHERS WITHOUT AUTHORIZATION FROM FENDER MUSICAL INSTRUMENTS.

Fender MUSICAL INSTRUMENTS
Corona, CA U.S.A.

TITLE: SERVICE DIAGRAM, COMBINED (schematic)
350x, Black Beauty

CHECKED BY: _____ DATE: _____

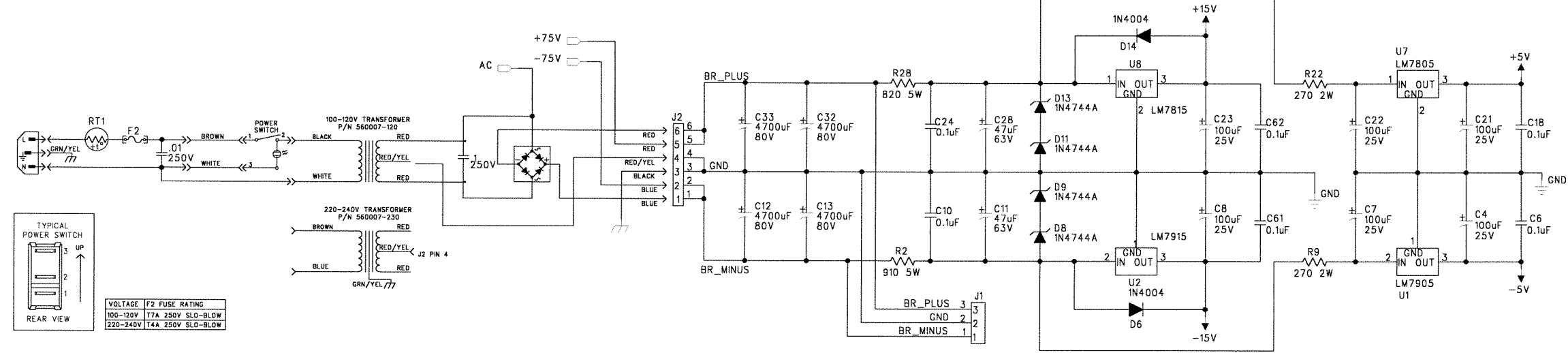
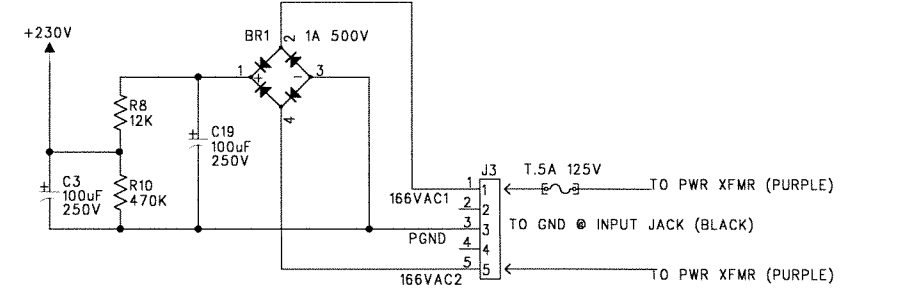
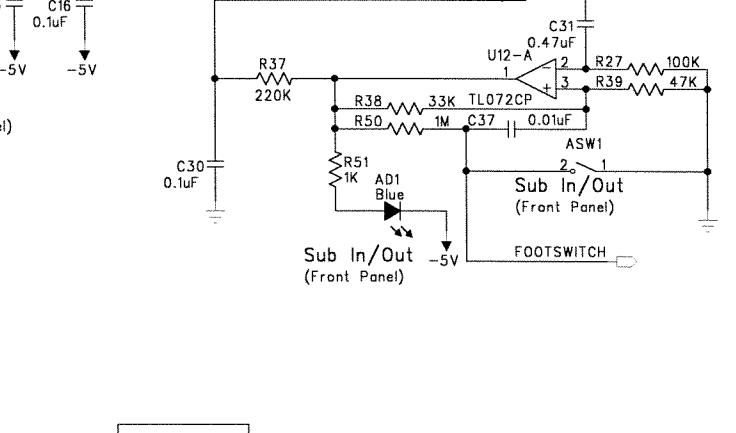
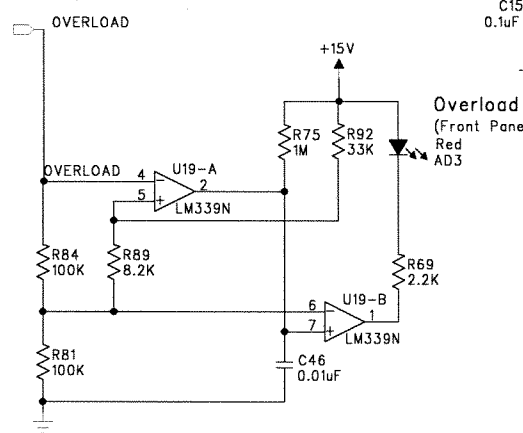
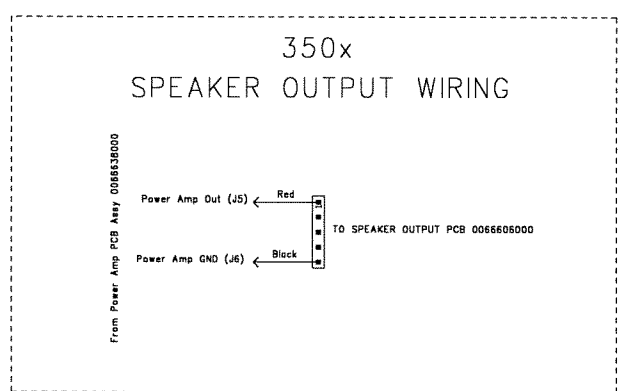
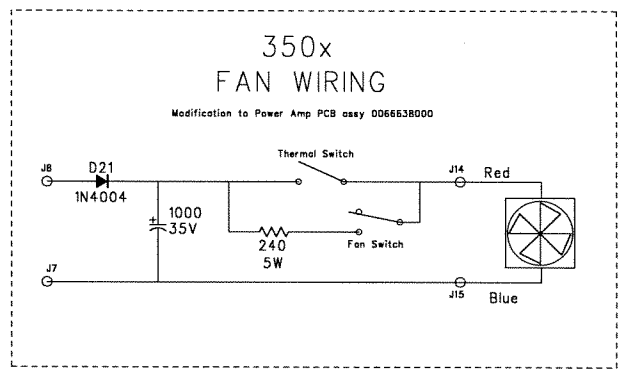
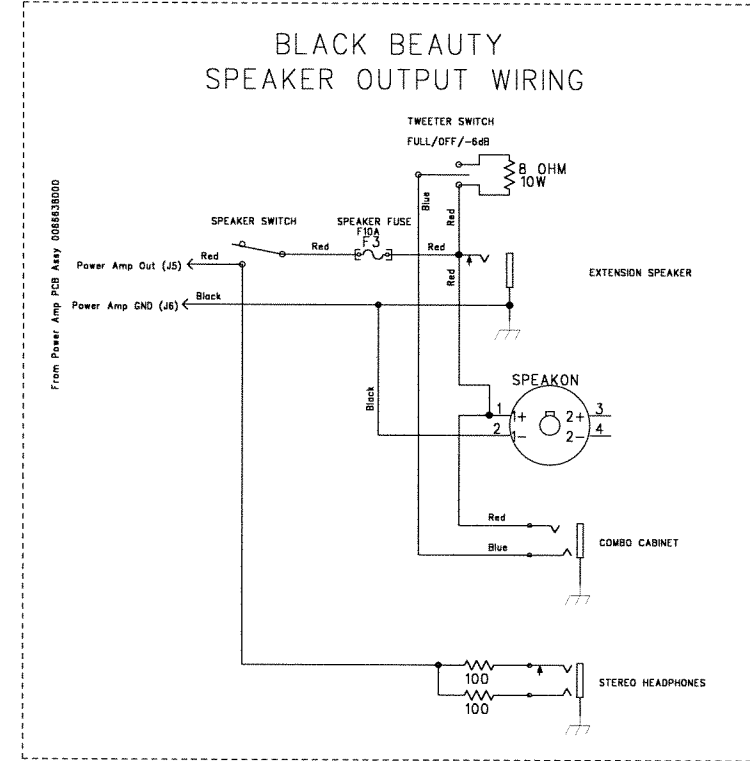
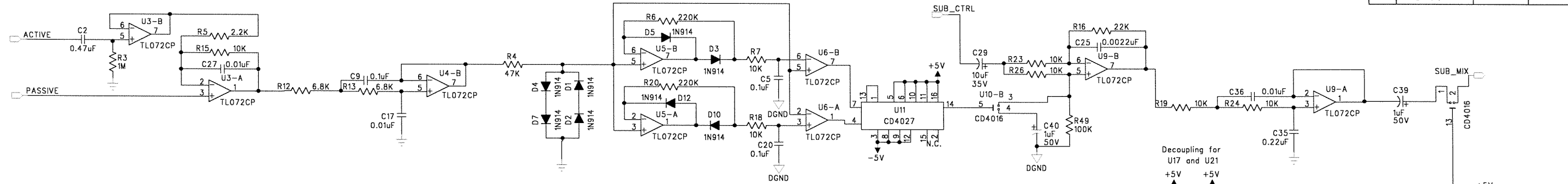
APPROVED BY: *S. Bankhead* DATE: *7-27-03*

DRAWN: S.Bankhead ENGR: S.Bankhead DATABASE FILE: 350x.SCH

SIZE: **D** DRAWING NUMBER: **0063769000** REV. **A**

RELEASE DATE: 28-JUL-03 SHEET: 1 OF 2

REVISIONS			
REV.	DESCRIPTION	DATE	APPROVED
A	EC2950	28-JUL-03	S.M.B.



TYPICAL POWER SWITCH REAR VIEW

VOLTAGE	F2 FUSE RATING
100-120V	17A 250V SLO-BLOW
220-240V	14A 250V SLO-BLOW

THIS DOCUMENT CONTAINS INFORMATION OF A PROPRIETARY NATURE TO FENDER MUSICAL INSTRUMENTS AND IS SUBMITTED TO YOU IN CONFIDENCE AND SHALL NOT BE DISCLOSED OR TRANSMITTED TO OTHERS WITHOUT AUTHORIZATION FROM FENDER MUSICAL INSTRUMENTS.

Fender MUSICAL INSTRUMENTS
Corona, CA U.S.A.

CHECKED BY: _____ DATE: _____
 APPROVED BY: *S. Bankhead* DATE: *7-29-03*
 DRAWN: S.Bankhead/ENGR: S.Bankhead DATABASE FILE: 350x.SCH

TITLE: SERVICE DIAGRAM, COMBINED (schematic)
 350x, Black Beauty

SIZE: D DRAWING NUMBER: 0063769000 REV: A
 RELEASE DATE: 28-JUL-03 SHEET: 2 OF 2

NOTES: SEE SHEET 1