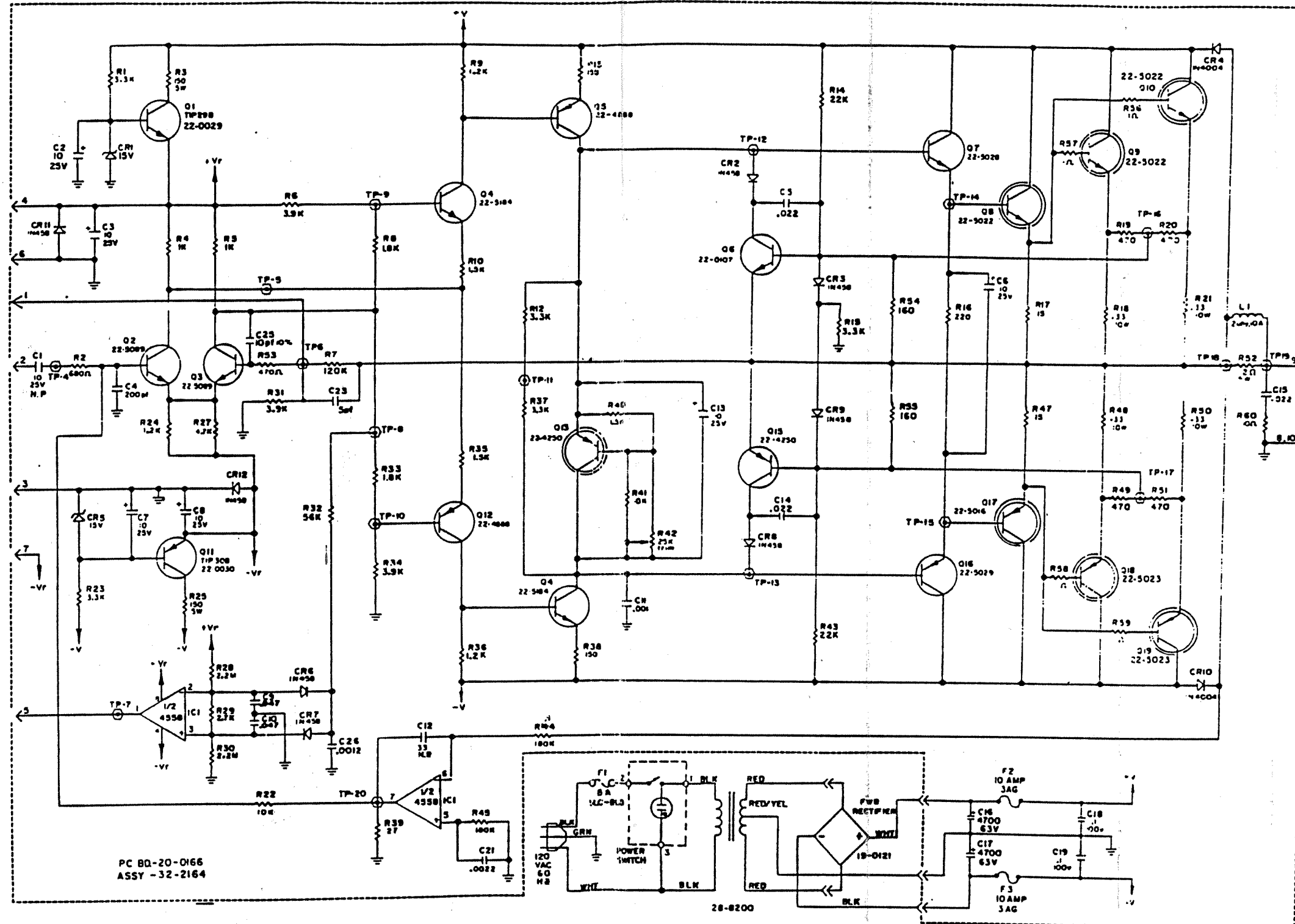


# COLISEUM 300 POWER AMP SCHEMATIC

REV	DESCRIPTION	DATE	APPROVED



PC 80-20-D166  
ASSY - 32-2164

UNLESS OTHERWISE NOTED:  
1) ALL RESISTORS 1/2 W, 5%, VALUE IN OHMS  
2) ALL CAPACITORS NON-POLAR, VALUE IN MICROFARADS

SUNN MUSICAL EQUIP. CO.	
SCHEMATIC, POWER AMPLIFIER 200W	
DATE: 3-1-62	DESIGNED BY: D
REV: 2	DRAWING NO: D-1142
DO NOT SCALE DRAWING	

