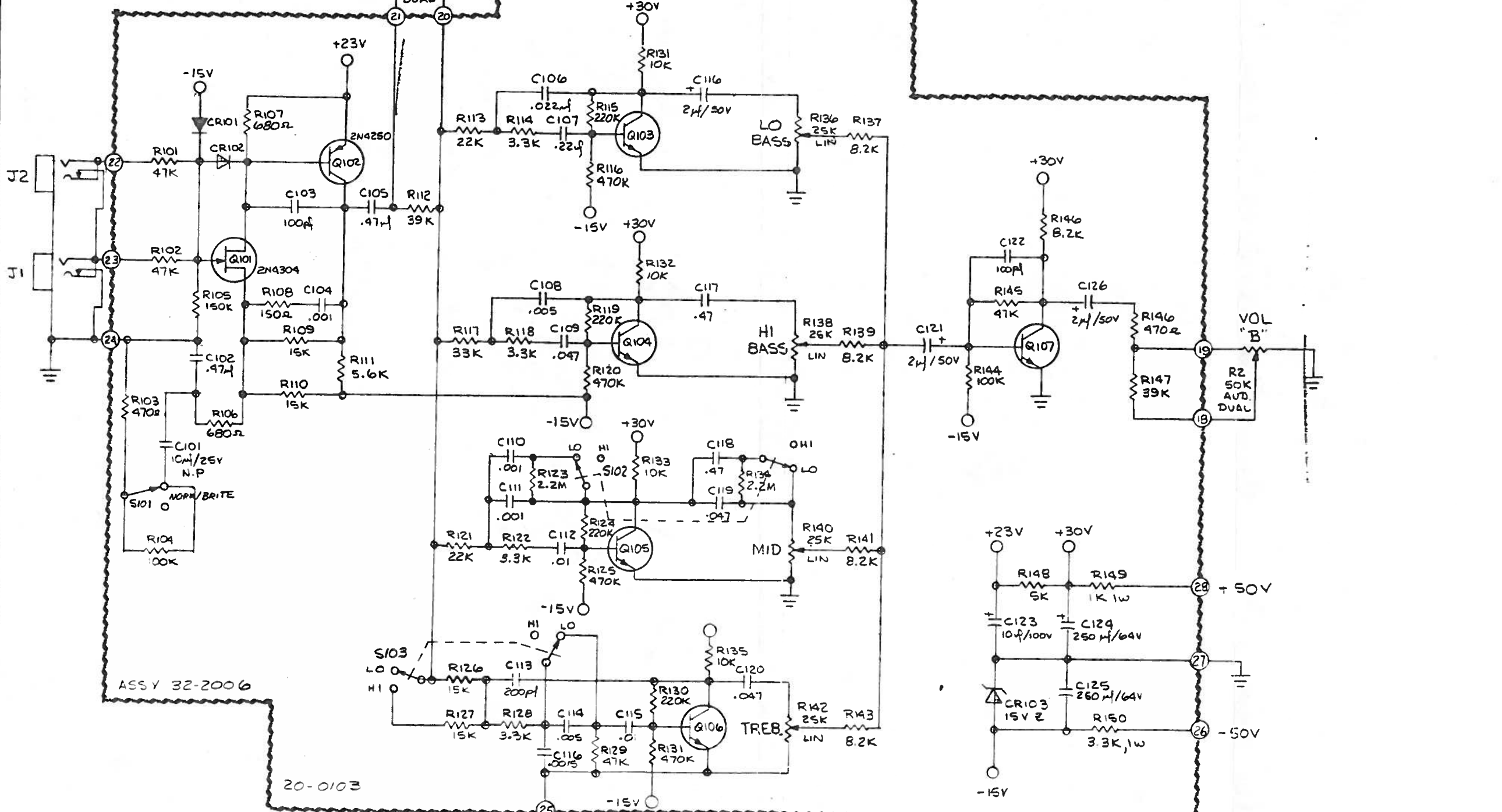


Coliseum Bass

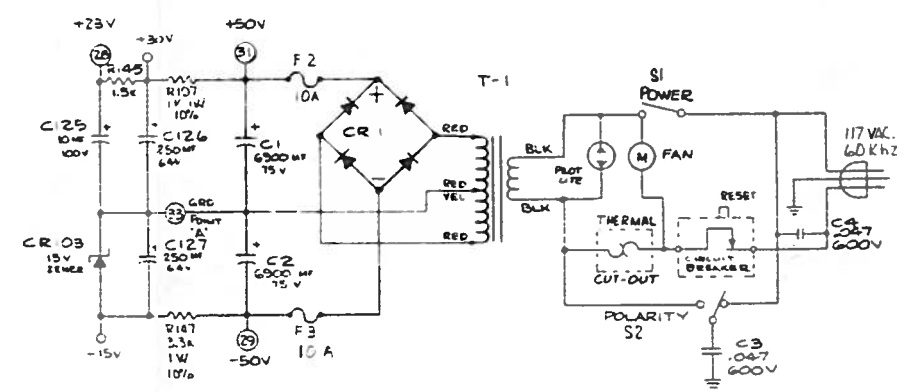
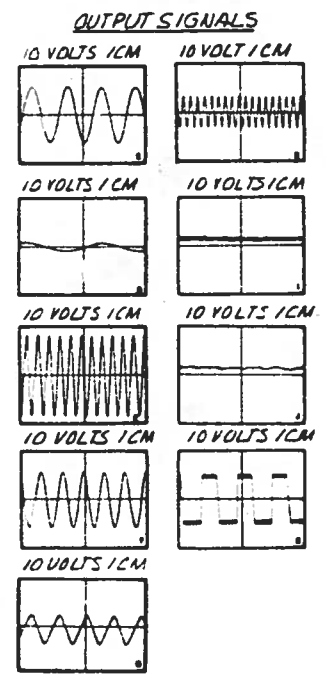
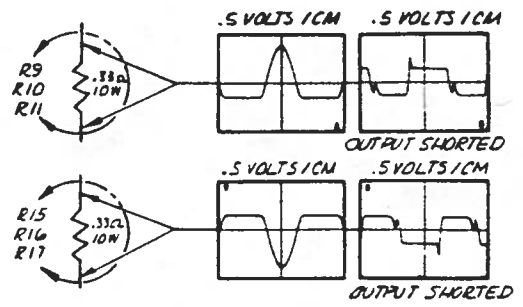
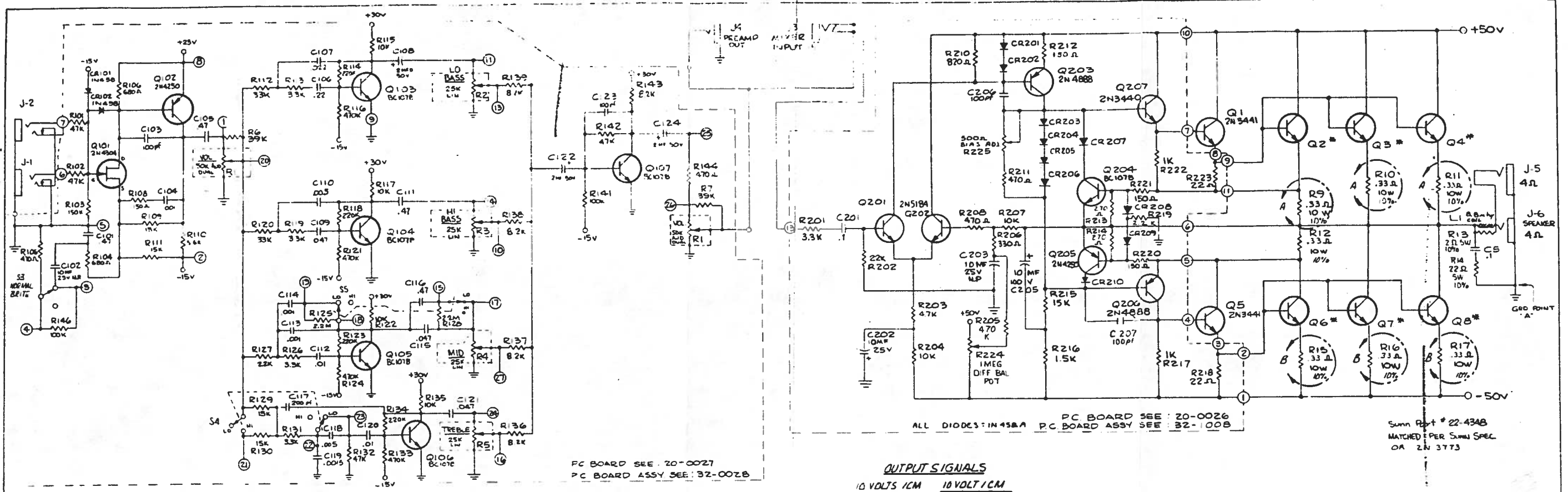
REVISIONS				
ZONE	LTR	DESCRIPTION	DATE	APPROVED



ALL RESISTORS ARE 1/2W ± 5% UNLESS OTHERWISE NOTED
 ALL DIODES ARE IN458 UNLESS OTHERWISE NOTED
 ALL TRANSISTORS ARE BC107B UNLESS OTHERWISE NOTED

QTY REQD	CODE IDENT	PART OR IDENTIFYING NO.	NOMENCLATURE OR DESCRIPTION
PARTS LIST			
UNLESS OTHERWISE SPECIFIED DIMENSIONS ARE IN INCHES TOLERANCES ARE:		CONTRACT NO.	
FRACTIONS	DECIMALS	ANGLES	APPROVALS
=	.XX =	=	DATE
	.XXX =		
MATERIAL		DRAWN <i>[Signature]</i> 8/8/75	
FINISH		CHECKED	
NEXT ASSY USED ON		<h2 style="text-align: center;">SCHEMATIC COLISEUM BASS</h2>	
APPLICATION			
DO NOT SCALE DRAWING		SIZE	CODE IDENT NO.
		C	D1072
		DRAWING NO.	REV.
		SCALE	SHEET 1 OF 1

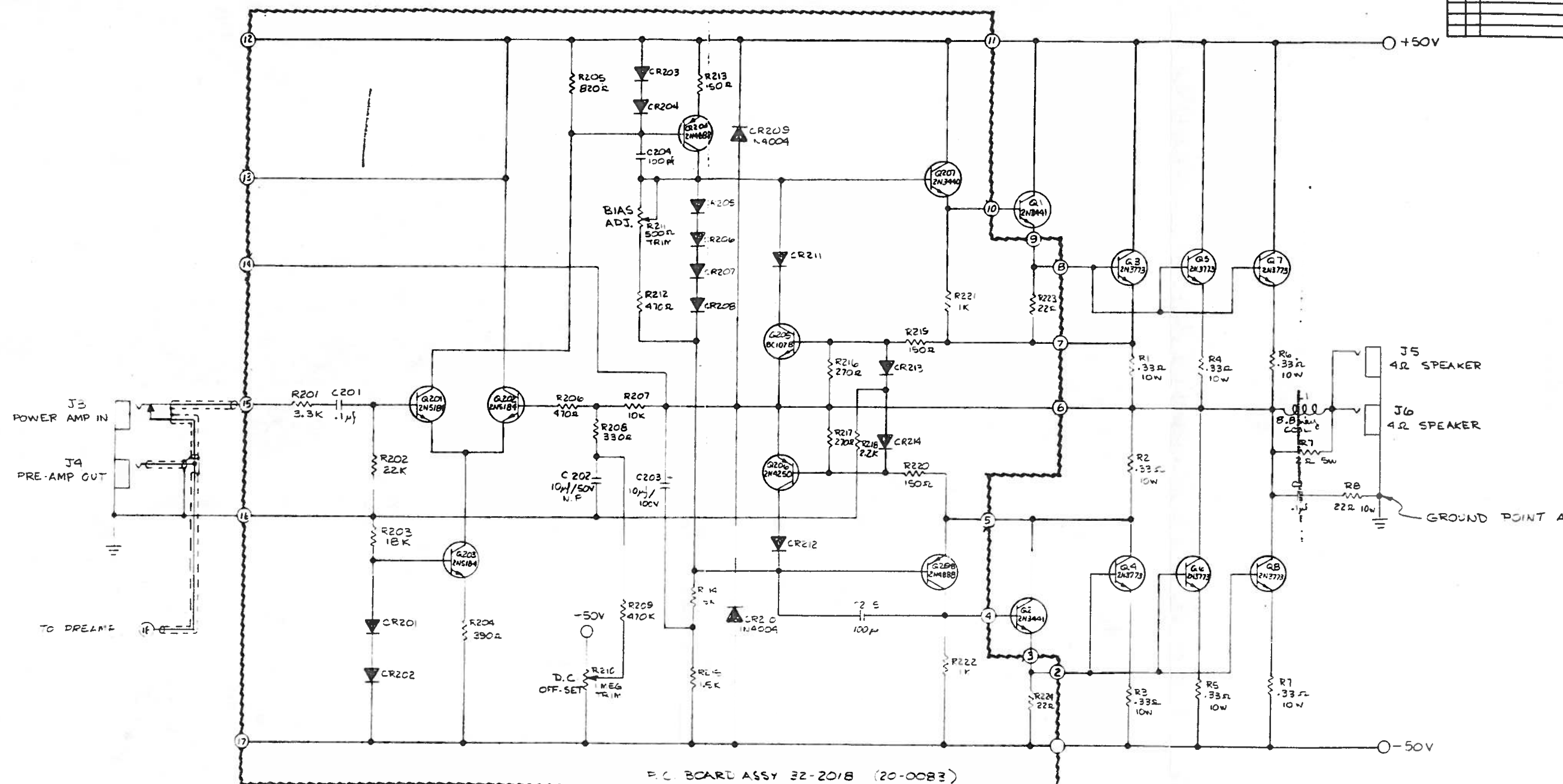
154-19



SCOPE VOLTS / CM IS FOR VERTICAL AMPLIFIER
SENSITIVITY INPUT SIGNAL 2KC AT 4V RMS

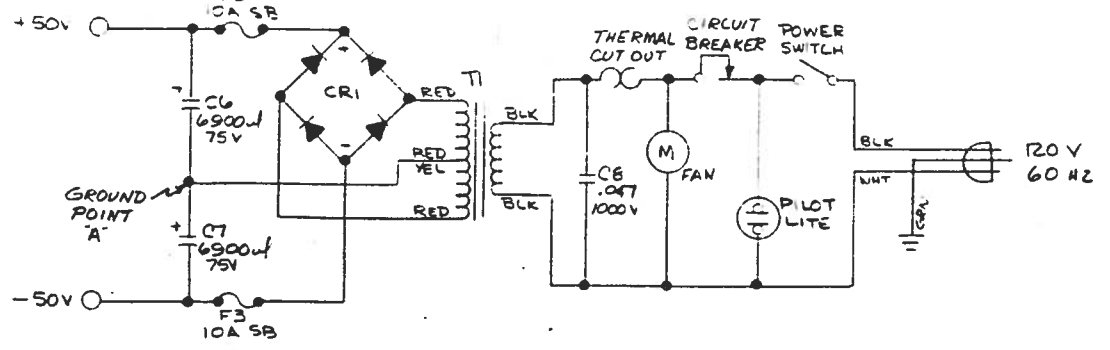
REVISED / UPDATED	DATE	BY	REASON
E ECH 253	10/1/68
L ECH 228
C ECH 231 ECH 3
B ECH 228
A
SUNN			
SUNN Musical Equipment Company 5000 NE Oregon Street Tualatin, Oregon 97067			
PART NAME		PART NUMBER	
SCHEMATIC BASS		D-1013F	

DATE	BY	REVISION	RECORD	AUTH	NO	CR.



P.C. BOARD ASSY 32-2018 (20-0083)

ALL DIODES ARE 1N458A UNLESS OTHERWISE SPECIFIED.
ALL RESISTORS ARE 1/2 WATT UNLESS OTHERWISE SPECIFIED.

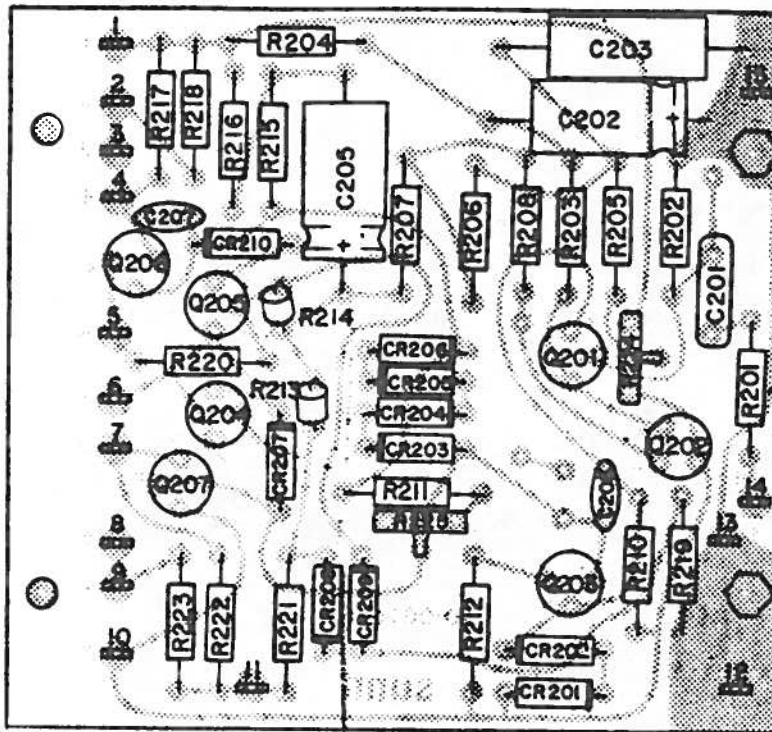


TOLERANCES (EXCEPT AS NOTED)	SCALE	DRAWN BY	APPROVED BY
±	COL. SERIES.		
±	TITLE	SCHEMATIC, POWER AMP	
±	DATE	7-21-75	D1075

154-23

Coliseum Bass

POWER AMP
32-1008



PIN NO.

- | | |
|----------------------|-------------------------|
| 1. -45 or -50 Volts | 8. Emitter of Q1 |
| 2. Base of Q6 | 9. Base of Q2 |
| 3. Emitter of Q5 | 10. +45 or +50 Volts |
| 4. Base of Q5 | 11. Emitter of Q2 |
| 5. Collector Q5 & Q6 | 12. Input ground shield |
| 6. Speaker | 13. Input |
| 7. Base of Q1 | |

CIRCUIT NO.

DESCRIPTION

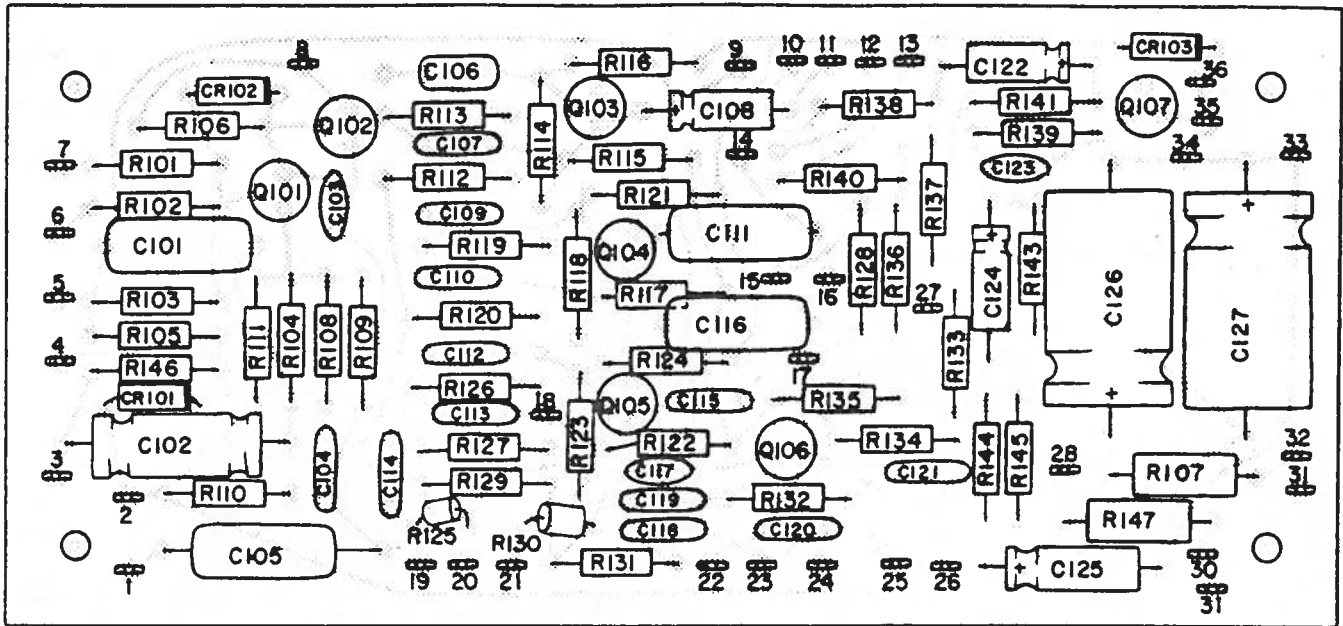
SJNN PART NO.

R201,204,207	10K ½ watt 5% carbon film resistor	12-3102
R202	47K ½ watt 5% carbon film resistor	12-3472
R203	4.7K ½ watt 5% carbon film resistor	12-2472
R205	470K ½ watt 5% carbon film resistor	12-4472
R206	330 ohm ½ watt 5% carbon film resistor	12-1332
R208,211	470 ohm ½ watt 5% carbon film resistor	12-1472
R210	820 ohm ½ watt 5% carbon film resistor	12-1822
R212,220,221	150 ohm ½ watt 5% carbon film resistor	12-1152
R213,214	270 ohm ½ watt 5% carbon film resistor	12-1272
R215	15K ½ watt 5% carbon film resistor	12-3152
R216	1.5K ½ watt 5% carbon film resistor	12-2152
R217,222	1K ½ watt 5% carbon film resistor	12-2102
R218,223	22 ohm ½ watt 5% carbon film resistor	12-0222
R219	2.2K ½ watt 5% carbon film resistor	12-2222
R224	1 meg trim pot	23-1106
R225	500 ohm trim pot	23-1107

C201	.1uf 100 Volt Mylar capacitor	10-3521
C202,205	10uf 100 Volt Elec. capacitor	10-3570
C203	33uf 25 Volt N.P. Elec. capacitor	10-1013
C206,207	100pf 1000 Volt Disc. capacitor	10-9517
Q201,202	2N5184 transistor	22-5184
Q203,206	2N4888 transistor	22-4888
Q204	BC107B transistor	22-0107
Q205	2N4250 transistor	22-4250
Q207	2N3440 transistor	22-3440
CR201,202,203, 204,205,206, 207,208,209, 210	1N458A diode	22-0458

Coliseum Bass

PREAMP
32-0028



PIN NO.

- | | | |
|-------------------|-------------------------------|---------------------------|
| 1. Volume pot | 13. Lo-bass pot | 25. No connection |
| 2. - 15 Volts | 14. Hi-bass pot | 26. Volume pot |
| 3. Brite switch | 15. Mid range sw | 27. Mid pot |
| 4. Brite switch | 16. Treble pot | 28. + 23 Volts |
| 5. Ground | 17. Mid pot & mid range sw | 29. - 50 Volts |
| 6. J1 | 18. Mid range sw | 30. Bridge (CR1) cap (C2) |
| 7. J2 | 19. Mid range sw | 31. + 50 Volts |
| 8. + 23 Volts | 20. Volume pot & treble range | 32. Bridge (CR1) cap (C1) |
| 9. Ground | 21. Treble range sw | 33. Ground |
| 10. Hi-bass pot | 22. Treble range sw | 34. Ground |
| 11. Lo-bass pot | 23. Treble range sw | 35. Ground |
| 12. No connection | 24. Treble pot | 36. Ground |

CIRCUIT NO.

DESCRIPTION

SUNN PART NO.

R101,102,132,142	47K ½ watt 5% carbon film resistor	12-3472
R103	150K ½ watt 5% carbon film resistor	12-4152
R104,106	680 ohm ½ watt 5% carbon film resistor	12-1682
R105,144	470 ohm ½ watt 5% carbon film resistor	12-1472
R108	150ohm ½ watt 5% carbon film resistor	12-1152
R109,111,129,130	15K ½ watt 5% carbon film resistor	12-3152
R110	5.6K ½ watt 5% carbon film resistor	12-2562
R112,120,140	33K ½ watt 5% carbon film resistor	12-3332
R113,119,126,131	3.3K ½ watt 5% carbon film resistor	12-2332
R114,118,123,134	220K ½ watt 5% carbon film resistor	12-4222
R115,117,122,135	10K ½ watt 5% carbon film resistor	12-3102
R116,121,124,133	470K ½ watt 5% carbon film resistor	12-4472
R125,128	2.2Meg ½ watt 5% carbon film resistor	12-5222
R127	22K ½ watt 5% carbon film resistor	12-3222
R141,146	100K ½ watt 5% carbon film resistor	12-4102
R145	1.5K ½ watt 5% carbon film resistor	12-2152
R136,137,138,139		
143	8.2K ½ watt 5% carbon film resistor	12-2822
R107	1K 1 watt 10% carbon comp resistor	13-2102
R147	3.3K 1 watt 10% carbon comp resistor	13-2331

C101,105,111,116	.47uf 100 Volt Mylar capacitor	10-3530
C102	10uf 50 Volt Elect capacitor	10-1011
C122,124,108	2.2uf 50 Volt Elect capacitor	10-1003
C125	10uf 100 Volt Elect capacitor	10-3570
C126,127	250uf 64 Volt Elect capacitor	10-1027
C103,123	100pf 1000 Volt Disc capacitor	10-9517
C117	200pf 1000 Volt Disc capacitor	10-9518
C104,113,114,119	.001uf 600 Volt Mylar capacitor	10-8510
C106,107	.22uf 100 Volt Mylar capacitor	10-3526
C109,115,121	.047uf 100 Volt Mylar capacitor	10-3508
C110,118	.005uf 600 Volt Mylar capacitor	10-8515
C112,120	.01uf 100 Volt Mylar capacitor	10-3504
CR101,102	1N458 diode	22-0458
CR103	15 Volt zener diode	22-0150
Q101	field effect transistor	22-1491
Q102	2N4250 transistor	22-4250
Q103,104,105,106 107	BC107B transistor	22-0107

PARTS LIST

Coliseum Lead, Bass, Keyboard

	<u>Description</u>	<u>SUNN Part #</u>
Diodes	IN458	22-0458
	IN4004	22-2070
Transistors	BC107	22-0107
	MPSA43	22-5184
	2N4888	22-4888
	2N4250	22-4250
	2N3440	22-3440
	2N3441	22-3441
	2N3773	22-3773
Misc. parts		
Power transformer		28-1419
Power cord		68-6685
Bridge rectifier		19-0121
Circuit breaker		52-0600
Cord wrap		48-0000
Fan		27-0000
Filter capacitor	75V, 6900uf	10-1035
Speaker output jack		67-0011
Handle strap		71-0007-1
Handle clip		71-0007-2
Handle cover		71-0007-3
Rubber feet		58-1131

COLISEUM BASS
Amplifier Parts List

<u>TRANSISTORS, DIODES, SEMICONDUCTORS</u>		
Q201,202,	2N5184	22-5184
Q203,206	2N4888	22-4888
Q205,102	2N4250	22-4250
Q1,5	2N3441	22-3441
Q2,3,4,6,7,8	2N3773	22-3773
Q207	2N3440	22-3440
Q101	2N4304	22-4304
Q103,104,105,106		
107,204	BC107B	22-0107
CR201,202,203,204		
205,206,207,208		
209,210,101,102	1N458	22-0458
CR103	15 Volt zener LMZ	22-0150
<u>RECTIFIER</u>		
CR-1	12 amp	19-0007
<u>TRANSFORMER</u>		
T-1		28-1419
<u>FILTER CAPACITORS</u>		
C-1.2	6900mfd/75 Volt cap	10-1035
C127,126	250mfd/64 Volt cap	10-1027
C125	10mfd/100 Volt cap	10-3570
<u>SWITCHES</u>		
DPDT slide switch		24-0045
SW1 Power switch		24-0088
SW2 Polarity switch		24-0040
<u>CONTROLS</u>		
R224	1 Meg differential balance	23-1106
R225	500 ohm bias adjuster	23-1107
R1A,1B	50K audio dual	23-6255
R3,4,5	25K linear	23-1253
<u>RESISTORS</u>		
R9,10,11,12,15		
16,17	Emitter resistor .33 ohm 10 watt	17-0003
<u>CIRCUIT BREAKER</u>		
6 amp 45-00P-700		52-0600
Thermal cut-out T1 #20700 L 76°C		52-0350
<u>FAN</u>		
Pamotor 4800		27-0000

54-1

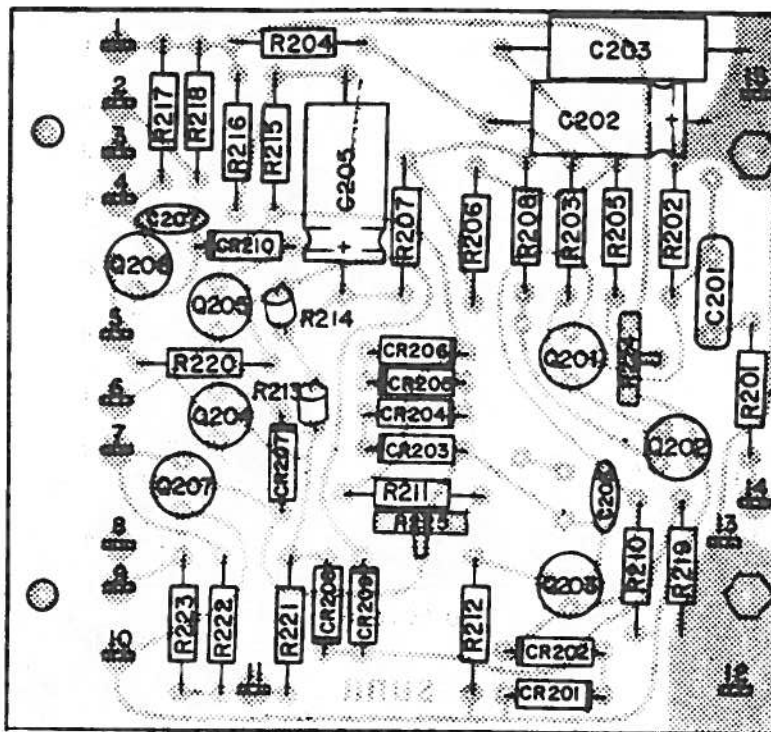
JACKS

J1,2	Switchable input	67-0014
J3	12A shorting jack switchcraft	67-0012
J4,5,6	Open circuit jack	67-0011

CABINET HARDWARE

Handle assembly		71-0007
Metal rear corner - 2 hole		62-8053
Metal front corner - 3 hole		62-0805
Corner 5/8" RT angle		62-8055
Soft rubber feet		58-1131
Control knobs Rogan Brothers		59-0600
Casters with screws		66-9459

COLISEUM
POWER AMP
32-1008



PIN NO.

- | | |
|----------------------|-------------------------|
| 1. -45 or -50 Volts | 8. Emitter of Q1 |
| 2. Base of Q6 | 9. Base of Q2 |
| 3. Emitter of Q5 | 10. +45 or +50 Volts |
| 4. Base of Q5 | 11. Emitter of Q2 |
| 5. Collector Q5 & Q6 | 12. Input ground shield |
| 6. Speaker | 13. Input |
| 7. Base of Q1 | |

CIRCUIT NO.

DESCRIPTION

SUNN PART NO.

R201, 204, 207	10K ½ watt 5% carbon film resistor	12-3102
R202	47K ½ watt 5% carbon film resistor	12-3472
R203	4.7K ½ watt 5% carbon film resistor	12-2472
R205	470K ½ watt 5% carbon film resistor	12-4472
R206	330 ohm ½ watt 5% carbon film resistor	12-1332
R208, 211	470 ohm ½ watt 5% carbon film resistor	12-1472
R210	820 ohm ½ watt 5% carbon film resistor	12-1822
R212, 220, 221	150 ohm ½ watt 5% carbon film resistor	12-1152
R213, 214	270 ohm ½ watt 5% carbon film resistor	12-1272
R215	15K ½ watt 5% carbon film resistor	12-3152
R216	1.5K ½ watt 5% carbon film resistor	12-2152
R217, 222	1K ½ watt 5% carbon film resistor	12-2102
R218, 223	22 ohm ½ watt 5% carbon film resistor	12-0222
R219	2.2K ½ watt 5% carbon film resistor	12-2222
R224	1 meg trim pot	23-1106
R225	500 ohm trim pot	23-1107

PARTS LIST

Coliseum Bass Preamp

	<u>Description</u>	<u>SUNN Part #</u>
Diodes	IN458	22-0458
	15V zener	22-0150
Transistors	2N4304	22-4304
	2N4250	22-4250
	BC107	22-0107
Controls		
Volume	50K linear dual	23-6255
Lo bass, Hi bass, mid treble	25K linear	23-1111
Knobs		
Numbered		59-6006
Numbered	Insert screw	59-5546
Switches		
Power		24-0118
Red Paddle		24-0128
Jacks		
Input		67-0014
Preamp out		67-0011
Power amp in		67-0012