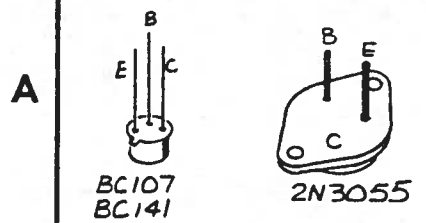
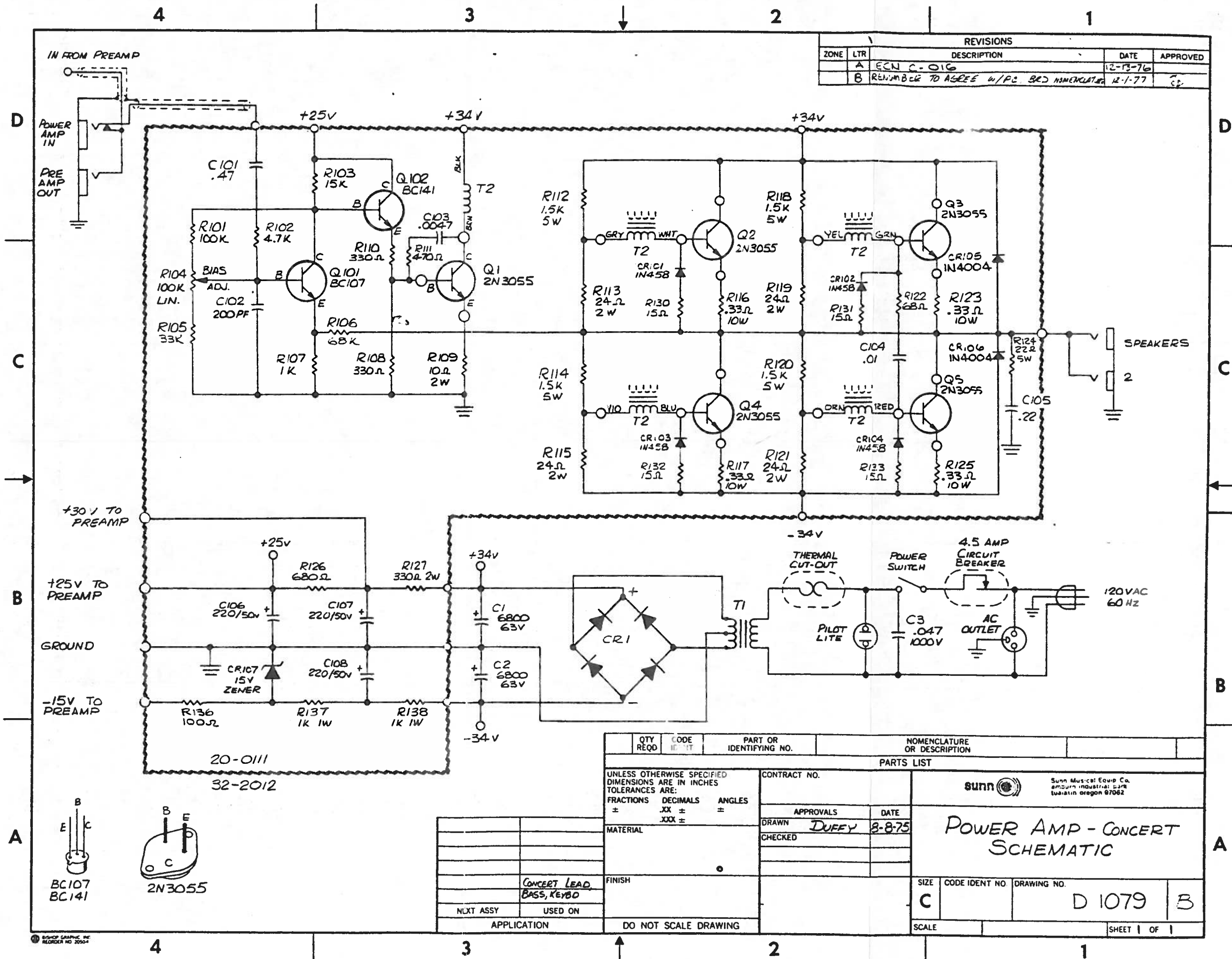


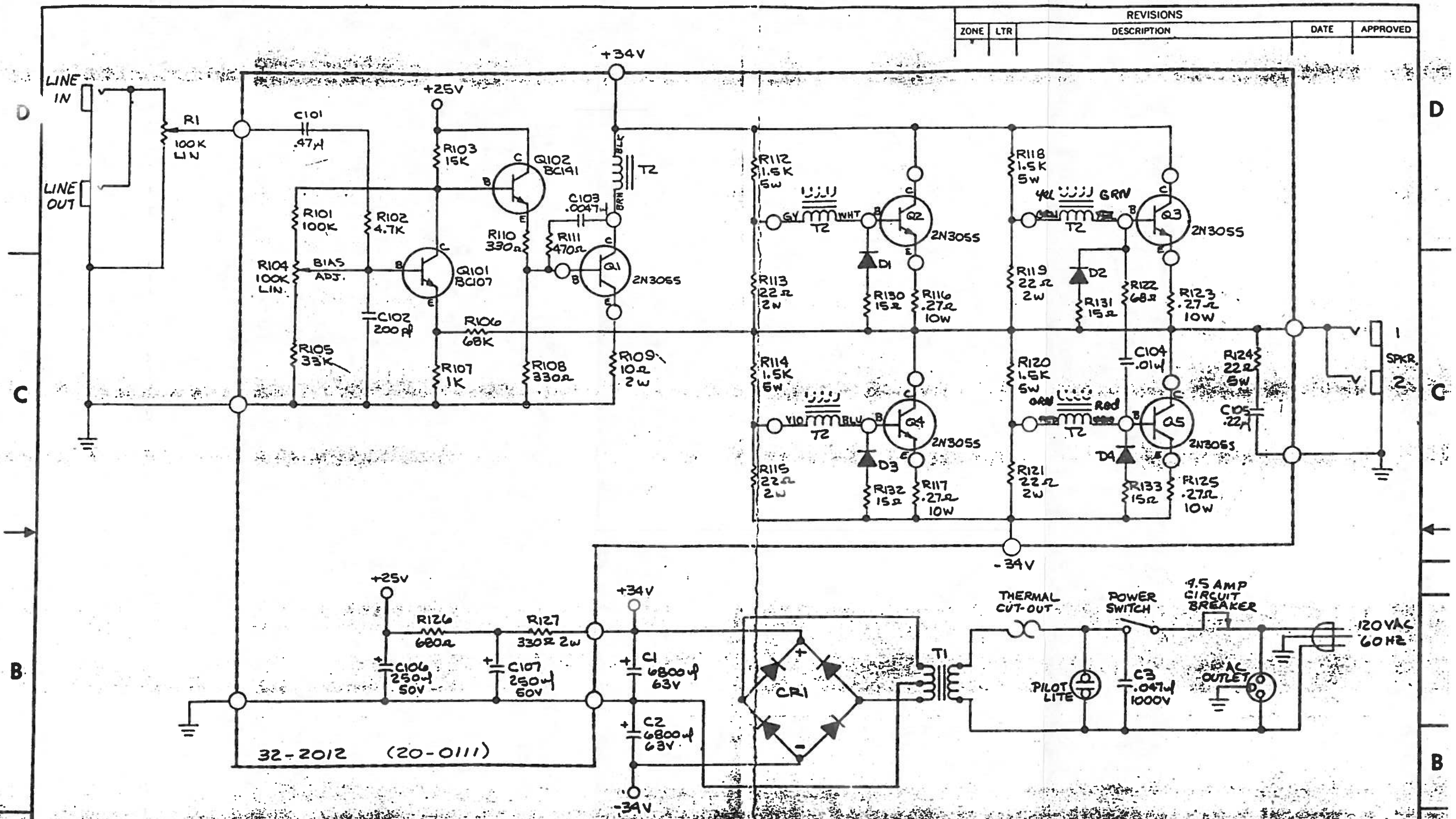
Concert Slave

REVISIONS				
ZONE	LTR	DESCRIPTION	DATE	APPROVED
A		ECN C-016	12-13-76	
B		RENUMBER TO AGREE w/FC BCD NOMENCLATURE	12-1-77	CP



QTY REQD	CODE	PART OR IDENTIFYING NO.	NOMENCLATURE OR DESCRIPTION
PARTS LIST			
UNLESS OTHERWISE SPECIFIED DIMENSIONS ARE IN INCHES TOLERANCES ARE:		CONTRACT NO.	
FRACTIONS	DECIMALS	ANGLES	
±	.XX ±	±	
	.XXX ±		
MATERIAL		APPROVALS	DATE
		DRAWN	DUFFY 8-8-75
		CHECKED	
FINISH		Sunn Musical Equip Co. sunn industrial park tualatin oregon 97062	
CONCERT LEAD BASS, KEYBO			
NLXT ASSY	USED ON	SIZE	CODE IDENT NO
APPLICATION	DO NOT SCALE DRAWING	C	D 1079 B
		SCALE	SHEET 1 OF 1

ZONE		LTR	DESCRIPTION	DATE	APPROVED



ALL DIODES ARE IN458

QTY	SYMBOL	COL IDENT	PART OR IDENTIFYING NO.	NOMENCLATURE OR DESCRIPTION

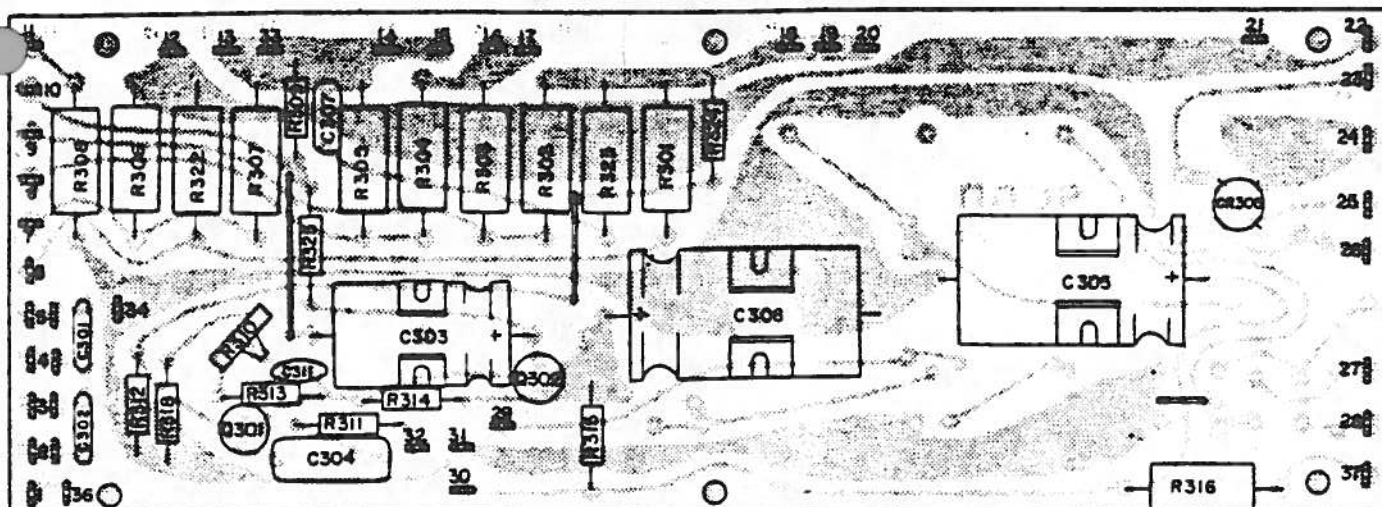
UNLESS OTHERWISE SPECIFIED DIMENSIONS ARE IN INCHES TOLERANCES ARE: FRACTIONS DECIMALS ANGLES ± .010 ± .005 ± .001	CONTRACT NO.	APPROVALS DRAWN BY <i>D. Dougland</i> CHECKED <i>Yee ps</i>	DATE
MATERIAL			
FINISH			
NEXT ASSY	CONCERT SLAVE		
USED ON			
APPLICATION			

SIZE	CODE IDENT NO.	DRAWING NO.
C		D1087
SCALE		SHEET 1 OF 1

Concert Slave

POWER AMP

32-0043



PIN NO.

- | | |
|-----------------------------------|-------------------------------------|
| 1. Driver transformer (black) | 19. Collector |
| 2. Driver transformer (orange) | 20. .27 ohm resistor (R3) |
| 3. Driver transformer (yellow) | 21. - side of 3400uf 75 Volt (C1) |
| 4. Driver transformer (white) | 22. .27 ohm resistor (R4) |
| 5. Driver transformer (blue) | 23. Power transformer (green) |
| 6. Driver transformer (violet) | 24. + side of 1000uf 75 Volt (C2) |
| 7. Driver transformer (red) | 25. Power transformer (green/white) |
| 8. Driver transformer (green) | 26. - side of 1000uf 75 Volt (C2) |
| 9. Driver transformer (grey) | 27. Power transformer (brown) |
| 10. Base Q1 | 28. Power transformer (yellow) |
| 11. Emitter Q. | 29. -15 Volts |
| 12. .27 ohm resistor (R1) | 30. +32 Volts |
| 13. Collector Q2 | 31. Ground |
| 14. Speaker jack ground | 32. Power amp jack in |
| 15. .27 ohm resistor (R2) | 33. Jumper to pin 34 |
| 16. + side of 3400uf 75 Volt (C1) | 34. Jumper to pin 33 |
| 17. Collector Q3, and Q4 | 36. + side of 1000 Volt (C2) |
| 18. Speaker jacks | 37. + side of 1000 Volt (C2) |

CIRCUIT NO.

DESCRIPTION

SUNN PART NO.

R309,325	330 ohm 1/2 watt 5% carbon film resistor	12-1332
R311,314	15K 1/2 watt 5% carbon film resistor	12-3152
R312	470 ohm 1/2 watt 5% carbon film resistor	12-1472
R313	220K 1/2 watt 5% carbon film resistor	12-4222
R315	680 ohm 1/2 watt 5% carbon film resistor	12-1682
R318	33K 1/2 watt 5% carbon film resistor	12-3332
R324	68K 1/2 watt 5% carbon film resistor	12-3682
R301,303,304,307	910 ohm 2 watt 5% carbon comp resistor	14-1912
R302,305,306,322	22 ohm 2 watt 10% carbon comp resistor	14-0221
R308	10 ohm 2 watt 10% carbon comp resistor	14-0101
R316	330 ohm 2 watt 5% carbon comp resistor	14-1332
R323	22 ohm 5 watt 10% wire wound resistor	15-0221
R310	100K linear potentiometer	23-4101

C307	.22uf 100 Volt Mylar capacitor	10-3526
C301,302	.047uf 100 Volt Mylar capacitor	10-3508
C303	250uf 64 Volt Elect capacitor	10-1027
C304	.47uf 100 Volt Mylar capacitor	10-3530
C305,308	1000uf 50 Volt Elect capacitor	10-2580
C311	12pf 1000 Volt Disc capacitor	10-9510
Q301	BC107B transistor	22-0107
Q302	BC141C transistor	22-0141
CR305	Bridge rectifier	19-0002

**CONCERT SLAVE
Amplifier Parts List**

TRANSISTORS, DIODES

Q301	BC107B	22-0107
Q302	BC141C	22-0141
Q1,2,3,4,5	2N3055	22-3055
CR1	GIKBH02 10 amp	19-0007
CR305,307	GIWO-2 1.5 amp	19-0002

FILTER CAPACITORS

C1	3450mfd/75 Volt cap	10-3091
C2	1000mfd/75 Volt cap	10-3080
C303	250mfd/64 Volt cap	10-1025
C308,305	1000mfd/50 Volt cap	10-2580

TRANSFORMERS

T1	3-4DT driver transformer	28-4300
T2	Power transformer	28-2602

CIRCUIT BREAKER

3 amp hold - 4.5 amp surge	52-0450
Thermal breaker 76°C	52-0350

SWITCHES

Power switch	24-0091
Polarity switch	24-0086

CONTROLS

R5	100K linear	23-1260
----	-------------	---------

JACKS

Pre amp out, output Open circuit standard	67-0011
Input	67-0010

CONTROL KNOBS

1" pointer knob	59-0850
-----------------	---------

CABINET HARDWARE

Metal front corners	62-0805
Metal rear corners	62-8053
Handle assembly	71-0007
Metal feed thru washers	43-0061
Plastiglide feet	58-1089
Soft rubber feet	58-1131
SUNN name plate	73-0090

PARTS LIST

Concert - Power Amp

	<u>Description</u>	<u>SUNN Part #</u>
Diodes	IN458	22-0458
	IN4004	22-2070
	15V zener	22-0150
Transistors	BC107	22-0107
	BC141	22-0141
	2N3055	22-3056
Capacitors	6800uf, 63V	10-1034
	220uf, 50V	10-1027
Transformers		
Power		28-1979
Output		28-4300
Misc. parts		
Power switch		24-0118
Thermal cutout		52-0350
Rectifier		19-0121
Power cord		68-6685
Cord wrap		48-0000
Power board standoff		47-0025
Preamp out jack		67-0011
Power amp in jack		67-0012
Speaker output jacks		67-0010
Circuit breaker		52-0400