

STAGEMASTER, SR400, 4100 & 6100 POWER AMPLIFIER TEST POINTS

STAGEMASTER  
SR 400, 4100, 6100 POWER AMPLIFIER

TEST CONDITIONS: Line voltage 120VAC 60hz, Input signal .67Vrms  
at 1Khz, output signal 20Vrms into 4 ohm load.

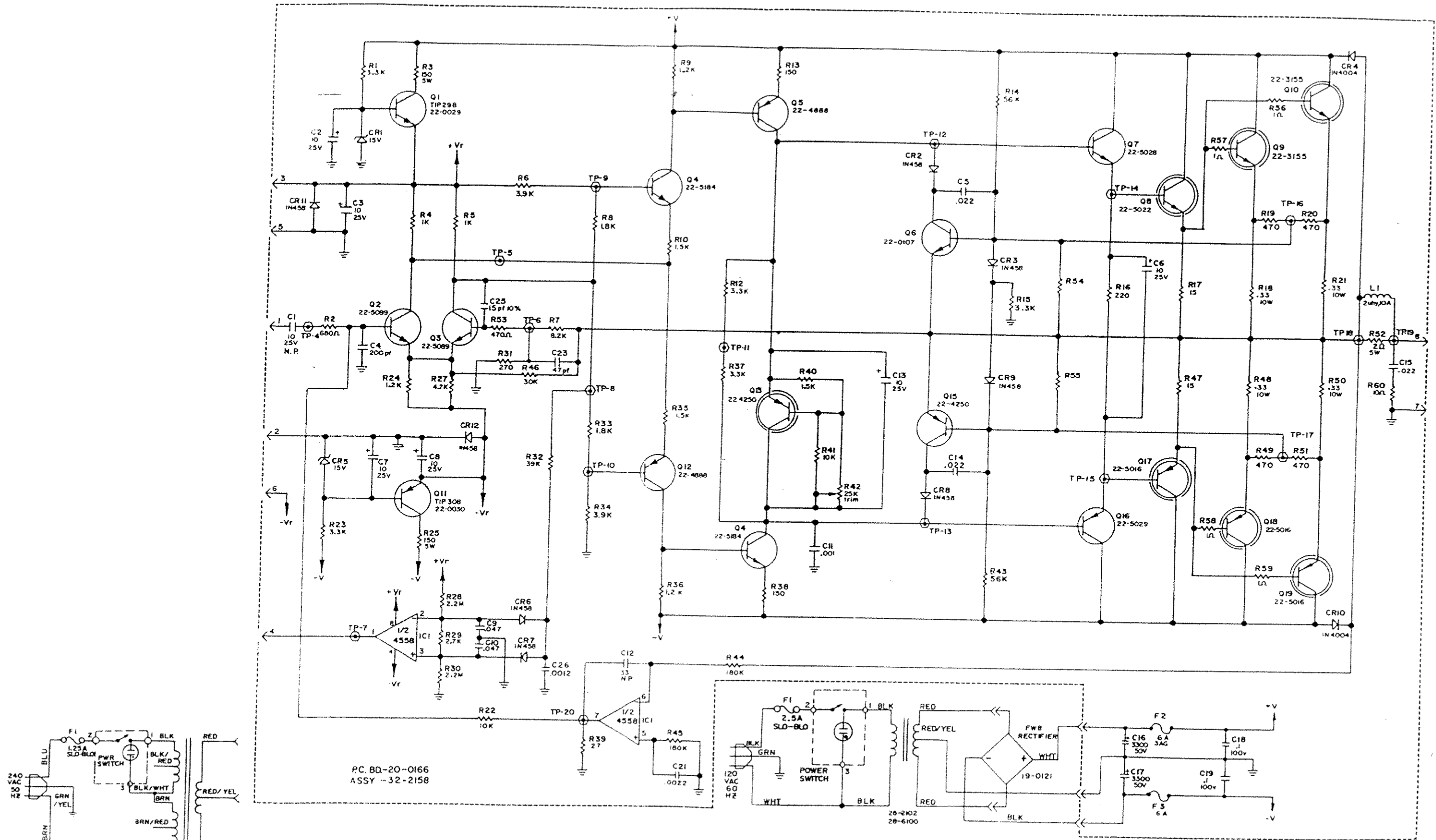
PARTS LIST

TRANSISTORS:	DESCRIPTION	SUNN PART #
Q2, Q3	2N5089	22-5089
Q4, Q14	MPS A43	22-5184
Q5, Q12	2N4888	22-4888
Q6	BC107	22-0107
Q13, Q15	2N4250	22-4250
Q1	TIP29B	22-0029
Q11	TIP30B	22-0030
Q7	MJE15028	22-5028
Q16	MJE15029	22-5029
Q8, Q9, Q10	2N3055	22-3155
Q17, Q18, Q19	MJ15016	22-5016
DIODES:	IN458A	22-0458
	IN4004	22-2070
	1N4744 15V ZENER	22-0150
IC	4558	22-4558
RECTIFIER	400V 35A	19-0121
FILTER CAPACITORS	3500 F 50V	10-3090

+V		38VDC
+Vr		15VDC
-V		-38VDC
-Vr		-15VDC
TP4	2VP-P	0
TP5	40mVP-P	7VDC
TP6	2VP-P	0
TP7		-12.8VDC
TP8	60mVP-P	7VDC
TP9	180mVP-P	9.2VDC
TP10	180mVP-P	4.8VDC
TP11	64VP-P	-.13VDC
TP12	64VP-P	1.3VDC
TP13	64VP-P	-1.5VDC
TP14	64VP-P	.86VDC
TP15	64VP-P	-1VDC
TP16	60VP-P	-30mVDC
TP17	60VP-P	-20mVDC
TP18	60VP-P	-33mVDC
TP19	60VP-P	-33mVDC
TP20	150mVP-P	.1VDC

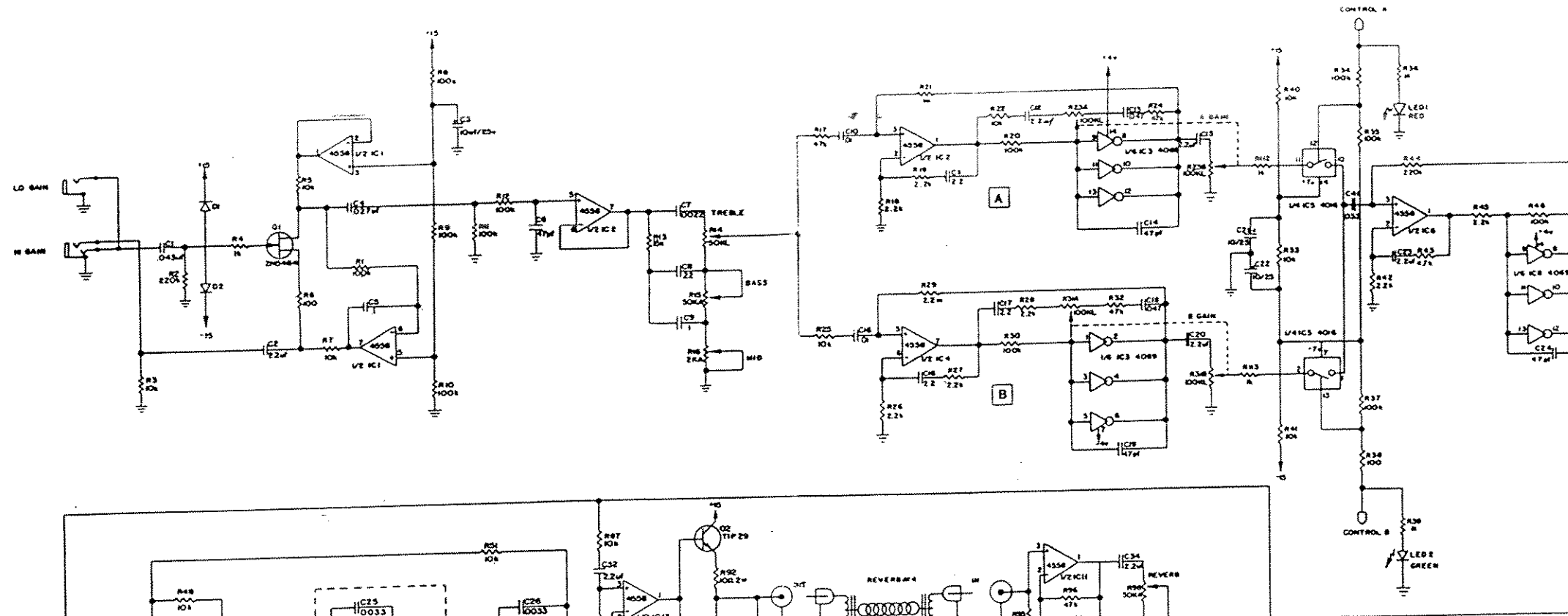
BIAS ADJUSTMENT: Unit should be at room temperature. No Input Signal,  
No load, adjust R42 for a DC voltage of 1mVDC R18.

STAGEMASTER SR 400 4100 6100 POWER AMPLIFIER SCHEMATIC



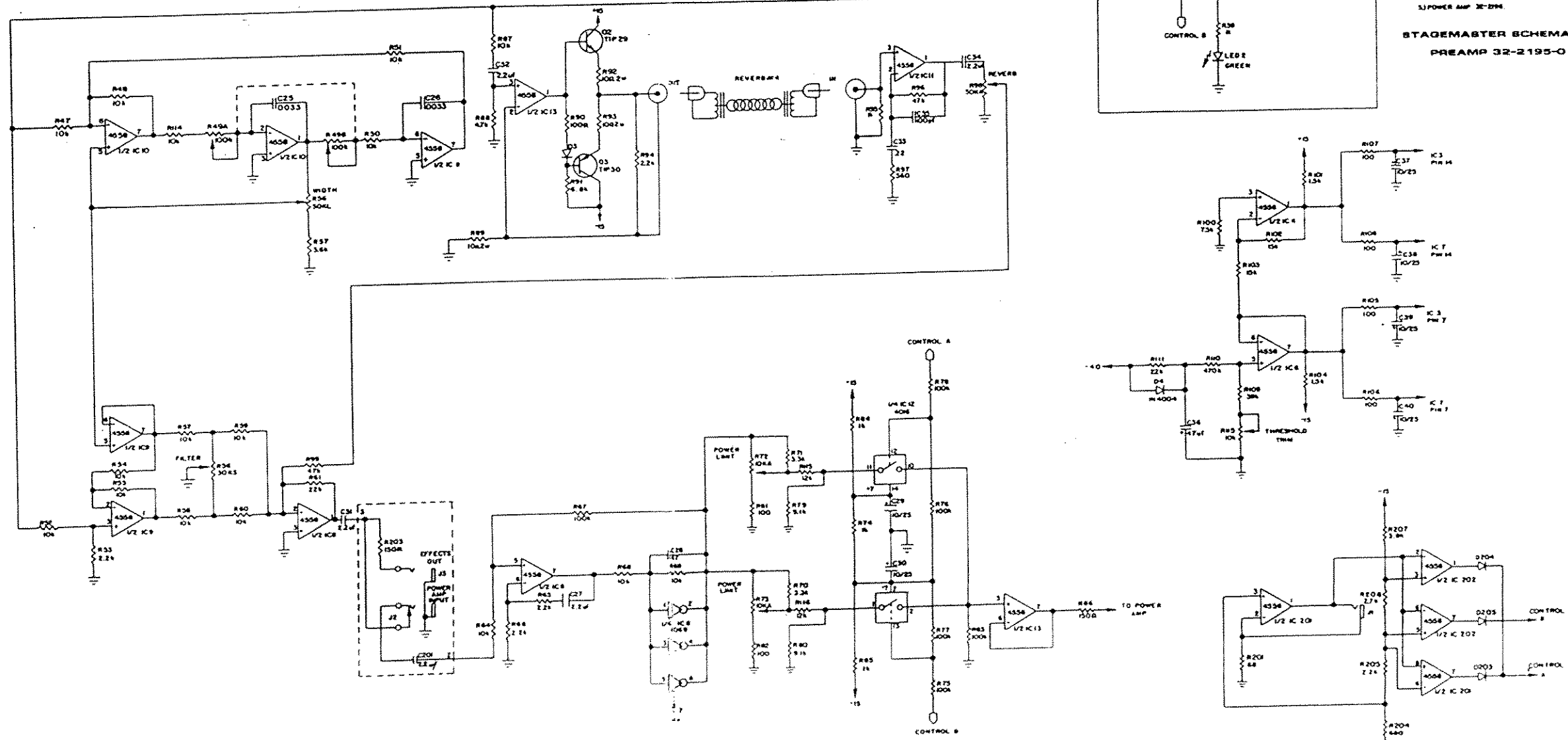
EXPORT SUPPLY 28-2112  
28-6110

UNLESS OTHERWISE NOTED :  
1.) ALL RESISTORS 1/2 W, 5% VALUE IN OHMS  
2.) ALL CAPACITORS NON-POLAR, VALUE IN MICROFARADS



- UNLESS OTHERWISE NOTED:
- 1) ALL RESISTORS ARE 1/4 W 5%, RATED IN OHMS.
  - 2) ALL CAPACITORS ARE IN MICROFARADS, NON-POLAR UNLESS NOTED OTHERWISE.
  - 3) ALL DIODES ARE 1N4004.
  - 4) ALL IC'S ARE 4558, PM-175, PM-175-1.
  - 5) POWER AMP IS 2794.

**STAGEMASTER SCHEMATIC**  
PREAMP 32-2195-0



REVISION 10/84  
C. L. W. / S.